

Cologne

FULL CUT-OFF WALL PACK FAMILY LED

We reserve the right to revise the design or components of any product without notice.

CATALOG #		TYPE
PROJECT/LOCATION		
APPROVED BY		

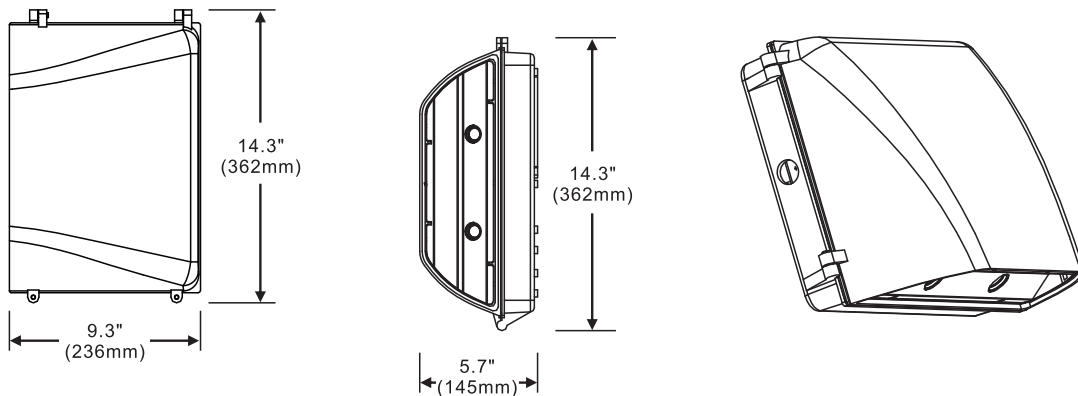
SPECIFICATIONS

- DRIVER — Universal Voltage 120/277v Electronic Driver is standard for LED.
- HOUSING — Solid die cast aluminum housing.
- LENS — High-impact resistant tempered glass.
- LIGHT ENGINE — Energy Efficient Light Emitting Diode.
- FINISH — UV stabilized powder coat finish.
- MOUNTING — Mounts to standard 4" square electrical junction boxes. Quick Mount (QM) Option Available.
- PHOTOCELL — (Optional) Industrial grade dual voltage 120/277v photocell.
- COMPLIANCE — Built to comply with U.S. and Canadian Safety Standards. Suitable for outdoor Wet locations.



COLOGNE LARGE

COLOGNE LARGE DIMENSIONS



Cologne

FULL CUT-OFF WALL PACK FAMILY

LED

ORDERING GUIDE:	Series	Size	Mounting	Lamp/Wattage	Color Temp	Voltage	Finish	Options
-----------------	--------	------	----------	--------------	------------	---------	--------	---------

SERIES

CLG = Cologne Series

SIZE

L = Large (14.3"W x 9.3"H x 5.7"D)

LED WATTAGE

Cologne Large LED Wattages

LED40 = 40 Watt LED (4303 Delivered Lumens)

LED55 = 55 Watt LED (5600 Delivered Lumens)

LED80 = 80 Watt LED (9896 Delivered Lumens)

LED COLOR TEMPERATURE

*Consult Factory for Additional Color Temperatures

5K = ±5000K range LED

VOLTAGE

EBU = Universal Volt (120-277V) Electronic Driver

FINISH

BZ = Bronze Standard

OPTIONS

9328 = Integral Dual Voltage Photocell – 120/277V

MSE = Motion Sensor External

Single circuit: All On / All Off

Specify Finish: White (WH) / Bronze (BZ)

MSE2 = Motion Sensor External

Dual circuit: Half On / Half Off

QM = Quick Mount Bracket

EMERGENCY OPTIONS 3 50

No onsite Emergency Power (AC or DC) is provided

Specify Fixture Voltage: 120V or 277V Power Feed

A=120V or B=277V

LED Emergency Battery 50

Factory Recommended

REL82 = LED 4 Watt (Remote)

NOTES:

3 Consult Factory for additional Emergency Battery options.

50 Max WHIP length with the REL provided by the factory is 8 feet.

5 Due to form and fit, final selection of the Battery Pack under discretion of Factory