

Bristol

Architectural Wall Pack Luminaire Uplight/Downlight or Downlight Only IP65 Rated / Wet Location

We reserve the right to revise the design or components of any product without notice.

CATALOG #		TYPE
PROJECT/LOCATION		
APPROVED BY		

SPECIFICATIONS

- APPLICATIONS — Retail Centers, Industrial Parks, Schools & Universities, Public Transit, Airports, Office Buildings, Medical Facilities.
- DRIVER — Universal Voltage (120/277v), 50/60Hz Electronic Driver. <20% THD / PF <0.90. 0-10V low voltage dimming is standard, with dimming range of 100-10%. 347 is optional.
- FINISH — Textured Powdercoat Finish over a Chromate Coated Coating.
- HOUSING — Die-cast Aluminum Housing with Nickel Plated Stainless Steel Hardware.
- LENS — Tempered Clear Flat Glass Lenses.
- LIGHT ENGINE — Energy efficient LED designed to replace HID lighting systems.
- MOUNTING — Mounts directly over a 4" Recessed Outlet Box or 1/2" Surface Conduit. Recommended mounting height of 8 to 16 feet.
- OPERATING TEMP — -40°C to +50°C / -40°F to 122°F
- COMPLIANCE — Built to comply with U.S. and Canadian safety standards. CSA listed for Wet Locations. ANSI/UL 1598, 8750. IP65 Sealed LED Compartment.
- WARRANTY — 5-Year Limited Warranty.



ORDERING INFO

Series	Wattage	CCT	Voltage	Finish	Options

ORDERING GUIDE:

SERIES

BS = Bristol Series

WATTAGE

LED16 = 16 Watt LED (Downlight Only)

LED32 = 32 Watt LED (Uplight & Downlight)

COLOR TEMPERATURE (CCT)

3K = ±3000K range (80CRI)

4K = ±4000K range (80CRI)

VOLTAGE

347 = 347 Volt (LED32 ONLY)

UNV = Universal Volt (120-277v) Driver

STANDARD FINISH

BZ = Bronze Finish

PREMIUM UPCHARGE FINISH[Ⓢ]

BK = Black Finish

SG = Silver Gray Finish

WH = White Finish

CC = Custom Color (Visit www.ralcolor.com)

— Provide RAL# or Make-to-Match Color Chip

PHOTOCELL OPTION

9328 = Photocell Button (120/277V)

MISC OPTIONS

FUS = Single Fusing

DFUS = Double Fusing

EMERGENCY BATTERY OPTIONS[Ⓢ]

EL4W = Integral LED 4 Watt | 90min Battery Backup Time

EL4W-CW = Integral LED 4 Watt - Cold Weather

— Temp Range: -20°C / -4°F

— 90min Battery Backup Time

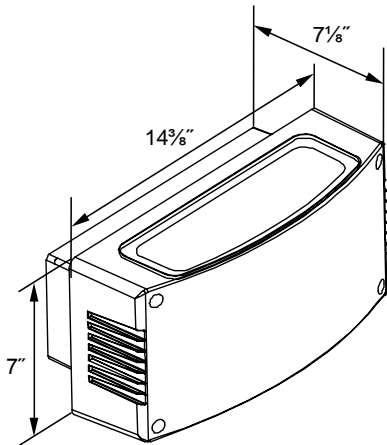
— Compatible with Downlight Model Only

NOTES:

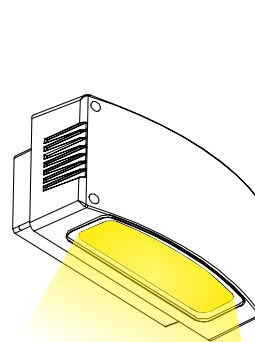
[Ⓢ] Minimum Order Quantity of (5) pieces required - Subject to Setup Fee

[Ⓢ] Only available on 120/277V

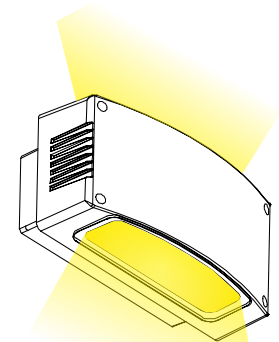
DIMENSIONS



LIGHT DIRECTION/WATTAGE



Downlight Only
(16 Watt)



Uplight / Downlight
(32 Watt Total)

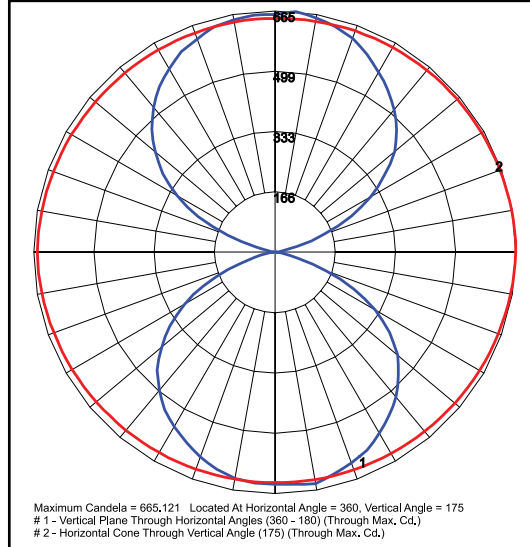
Bristol

Architectural Wall Pack Luminaire
Uplight/Downlight or Downlight Only
IP65 Rated / Wet Location

We reserve the right to revise the design or components of any product without notice.

CATALOG #		TYPE
PROJECT/LOCATION		
APPROVED BY		

PHOTOMETRIC DATA



BS-LED32-5K-UNV
Type V

PHOTOMETRIC PERFORMANCE

Led Wattage	Drive Current (mA)	Input Watts	Optics	4000K / 80 CRI					3000K / 80 CRI				
				Lumens	LPW	B	U	G	Lumens	LPW	B	U	G
16 Watt	525	17	Type V	1,694	98	-	-	-	-	-	-	-	-
32 Watt	525	35	Type V	3,387	97	1	5	1	3,269	93	1	5	1

PROJECTED LUMEN MAINTENANCE

DATA SHOWN FOR 5000 CCT						
TM-21-11 ¹	Input Watts	Initial	25,000 Hrs ²	50,000 Hrs	100,000 Hrs	Calculated L70@ 25°C
L70 Lumen Maintenance @ 25°C / 77°F	17W / 35W	1.00	0.96	0.93	0.86	213,000
L70 Lumen Maintenance @ 50°C / 122°F	17W / 35W	1.00	0.93	0.87	0.73	113,000
L70 Lumen Maintenance @ 40°C / 104°F	17W / 35W	1.00	0.95	0.89	0.78	91,000

NOTES:

¹ Projected per IESNA TM-21. Data references the extrapolated performance projections for the 525mA base model in a 25°C ambient, based on 10,000hrs of LED testing per IESNA LM-80-08.

² Indicates suggested Light Loss Factor (LLF) to be used when comparing to Metal Halide (MH) systems.