

We reserve the right to revise the design or components of any product without notice.

Bermuda 2

ARCHITECTURAL WALL PACK FAMILY

Indoor/Outdoor LED Wall Sconce

CATALOG #		TYPE
PROJECT/LOCATION		
APPROVED BY		

SPECIFICATIONS

- BACKPLATE — 16 Gauge Aluminum.
- COLOR DECORATIVE WINDOW OPENING — 0.125 (1/8") Thick Clear Prismatic Acrylic is standard decorative window. Specify Window Color - see options or Custom Color (consult factory) (CC).
- DIFFUSER — 0.125 (1/8") Thick Clear Prismatic Polycarbonate lens is standard. Optional White Translucent Opal Acrylic (OPL).
- DRIVER — Universal Voltage 120/277v Electronic Driver with 0-10V dimming is standard.
- EMERGENCY — LED — Remote Only.
- FASTENERS — Stainless steel tamperproof screws — (4) To secure lens in place.
- FINISH — Corrosion and Weather resistant pre-treated extremely durable oven baked polyester powder. Bronze Finish is standard.
- GASKETING — High temperature, non-aging black EPDM and/or neoprene rubber concealed in housing pocket and enclosed by cast-in drip shield and rear wire entrance hole to protect against outside contaminants.
- HOUSING — 16 Gauge Aluminum housing. Solid Front with Side Light is Standard.
- HOUSING WINDOW DESIGN — Choose Four-Square (4SQ), One-Square (1SQ) or Custom Pattern (CR). Consult Factory to "Design your own Fascia".
- LIGHT ENGINE — Energy Efficient Light Emitting Diode (LED).
- MOUNTING — Center access hole for indoor mounting to a "J" box or use (4) 5/16" dia. holes for 1/4" diameter bolts for outdoor or indoor for some models.
- COMPLIANCE — Built to comply with U.S. and Canadian safety standards. Suitable for wet locations. Meets Buy America / Buy American Act Requirements.



ORDERING INFO

Series	Housing/Window	Wattage	CCT	Voltage	Finish	Window Option	Options
ORDERING GUIDE:							

SERIES

BR2 = Bermuda 2 (14" sq x 4" deep)

HOUSING / WINDOW DESIGN

- SF** = Solid Front — STANDARD
- 1SQ** = 1 Square Window
- 4SQ** = 4 Square Windows
- CR** = Custom Requirement
- Design Own Fascia (Consult Factory)

LED WATTAGE

- LED20** = 20 Watt LED
- LED40** = 40 Watt LED

LED COLOR TEMPERATURE (CCT)

- 3K** = ±3000K range LED
- 4K** = ±4000K range LED
- 5K** = ±5000K range LED

VOLTAGE

- 347** = 347 Volt
- UNV** = Universal Volt (120-277v) Electronic Driver
- 2UNV** = Two Universal Volt (120-277v) Electronic Drivers

FINISH

- BK** = Black Finish
- BZ** = Bronze Finish
- PNA** = Painted Natural Aluminum
- SGR** = Silver Gray
- WH** = Textured White Finish — STANDARD
- +NAT** = Conformal Coating - Light Engine Only
- CC** = Custom Color (Visit www.ralcolor.com)
- Provide RAL# or Make-to-Match Color Chip

WINDOW OPTIONS

Window Colors (Specify Front / Sides / Both)

- AM** = Amber
- BLU** = Blue
- CC** = Custom Color (Consult Factory)
- GN** = Green
- OPL** = Translucent Opal White
- RD** = Red

OS = Opaque Sides (No Light Output)

- SPECIFY:**
- North (N), South (S), East (E), West (W)
 - All (A)

DIMMING OPTIONS

Note: 0-10V 100%-30% is Standard

- D7A** = 0-10VDC LED Dimming Driver (100-10%)
- D7B** = 0-10VDC LED Dimming Driver (100-1%)

CONTROL OPTIONS

Note: See Accessory Options for Required Remote Controller

- OCC** = Occupancy Sensing | Motion Sensor Integral[Ⓢ]
 - Microwave / Single Feed / 120/277V Only
 - Standby Dim Level Presets: ON/OFF (0%/100%)
- BLD** = Bi-Level Dimming | Motion Sensor Integral[Ⓢ]
 - Microwave / Single Feed / 120/277V Only
 - Standby Dim Level Presets:
 - 10% / 20% / 30% (Standard) / 50%
- BLS** = Bi-Level Switching — Using 2 Drivers (2UNV)

MISC OPTIONS

- FUS** = Single Fusing
- DFUS** = Double Fusing
- SG** = 10KA Surge Protection (ANSI spec C62.41.2)

EMERGENCY / BATTERY OPTIONS^{ⓈⓈⓈ}

No onsite Emergency Power (AC or DC) is provided

- GTD1** = Generator Transfer Device (Signify)
- GTD2** = Generator Transfer Device (LGTD)
 - Shunt Relay w/Fire Alarm Override Input

Meets California Energy Commission Title 20:

(CEC-400-2014-009-CMF) Efficiency Standards

- REL4W** = Remote LED 4 Watt
- REL8W** = Remote LED 8 Watt
- REL16W** = Remote LED 16 Watt
- REL20W** = Remote LED 20 Watt

Cold Weather Emergency Batteries:

Operating Temp: -20°C thru 50°C / NON-CEC Compliant

- REL10W-CW** = Remote LED 10 Watt (Cold Weather)
- REL23W-CW** = Remote LED 23 Watt (Cold Weather)

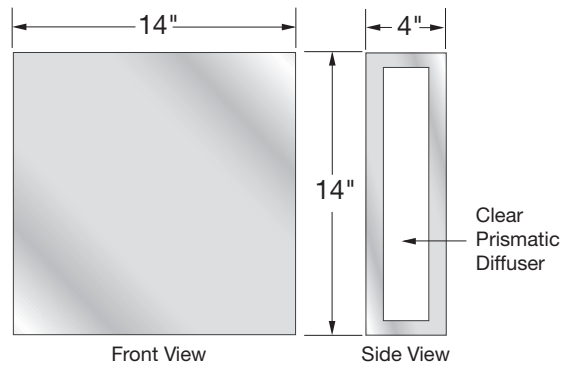
ACCESSORY OPTIONS (order as a separate line)

- 9002** = Tamperproof Screwdriver
- REMT** = Remote Controller for Sensor Options

NOTES:

- [Ⓢ] Consult Factory for additional Emergency options not shown.
- ^{ⓈⓈ} Max mounting height of fixture is 18' (18 feet)
- ^{ⓈⓈⓈ} Max WHIP length of the REL is 8 feet.
- ^{ⓈⓈⓈ} Final selection of the Battery Pack under discretion of Factory.

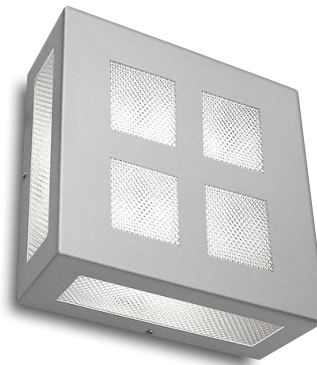
DIMENSIONS



HOUSING STYLE & WINDOW DESIGN



1-Square Window (1SQ)



4-Square Windows (4SQ)