

We reserve the right to revise the design or components of any product without notice.

RM8

LED Recessed Downlight Luminaire For New and Retrofit NON-IC Commercial Installations



ARRA
Compliant



CATALOG #		TYPE
PROJECT/LOCATION		
APPROVED BY		

APPLICATIONS

8" commercial LED recessed down light with available lumen outputs from 1250 to 4000 lumen's. Suitable to replace most 24" T-bar grid style 8" CFL down light applications while providing energy savings and reducing future maintenance costs by eliminating periodical re-lamping. Universal plaster frame design is also suited for installation into new plaster ceiling construction applications, where 16" or 24" joist centers are used. The RM8 luminaire is designed for NON-Insulated ceiling applications and requires a minimum free air flow around luminaire to sustain life performance.

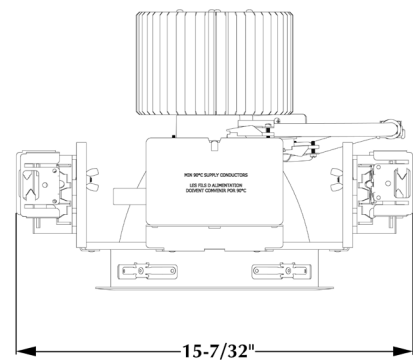
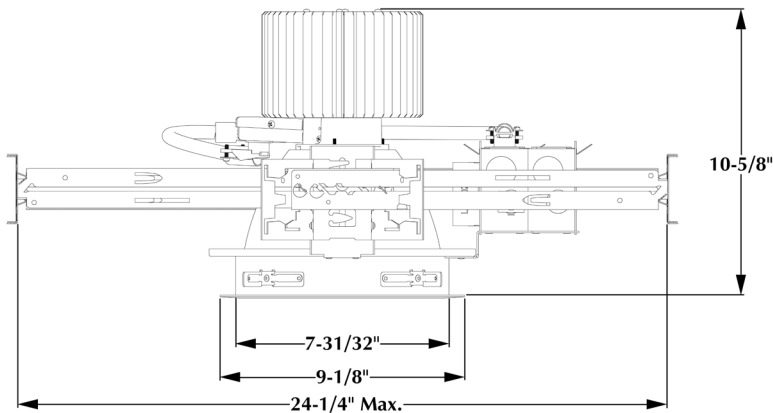
SPECIFICATIONS

- **DRIVER** — 22 gauge light weight, non-corrosive galvanized spun frame. Provided with adjustable butterfly brackets for accurate horizontal and vertical positioning between joists or T-bar grid ceilings. Four concealed double flanged spring clips mechanically attached for firmly locking reflector assembly. Pre-wired J-box provided with snap on covers for easy below ceiling access to mains and dimming circuits.
- **REFLECTOR** — 14 gauge, CNC precision spun aluminum. Standard Finish: Semi-Diffuse #1100 HAZE Alzak. Optional matte white trim.
- **LED LIGHT ENGINE** — The RM8 series uses CREE LMH2 White Light Dimming Modules. CREE modules have a minimum 90 CRI and can be ordered in 27K, 30K, 35K, 40K correlated color temperatures. (50K CCT available in 4000 lumen only). The RM8 luminaire is thermally designed to maintain precise chromaticity within the target ANSI C78.377A binning range for LMH2 modules. CREE White Light Dimming modules provide consistent color across the entire dimming range. Modules produce no UV in light output.
- **HEAT SINK** — Extruded aluminum heat sink, designed to thermally manage LMH2 LED modules.
- **LED DRIVERS** — Universal Voltage (120-277) Electronic drivers standard. 347V for Canada optional. LED drivers are UL Recognized, Class 2 power supply, with Power Factor > 0.90.
- **DIMMING DRIVERS** — Standard dimming options include 0-10V, TRIAC (Forward Phase or Leading edge), ELV (Reverse-Phase or Trailing Edge). TRIAC and ELV dimming only at 120Vac. Flicker Free 0-10V dimming to 10%. Optional DMX dimming available, consult factory. Most dimming drivers comply with Energy Star, DLC and CA Title 24 technical requirements. Dimming drivers are UL Recognized, Class 2 power supply.

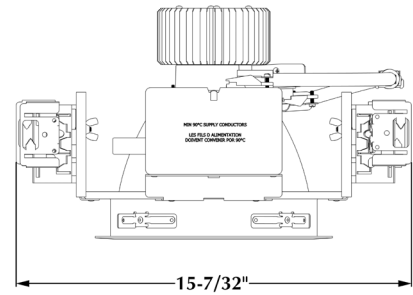
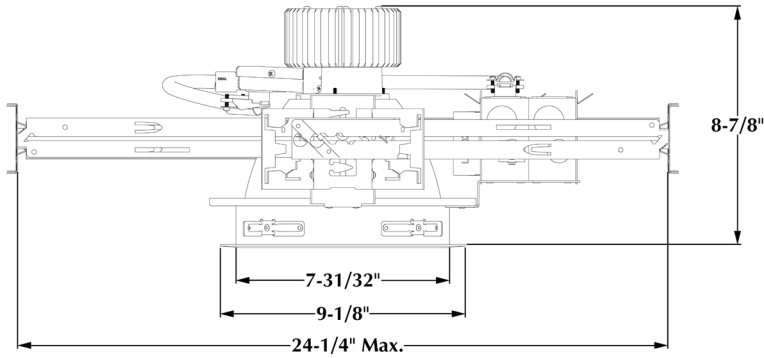


- **THERMAL PROTECTION** — Provided with Pre-wired Thermal Protector for NON-IC ceiling installation. Must specify voltage (120V, 277V or 347V) when ordering. CREE LMH2 modules contain over-temperature protection that shuts down the light source if the monitored temperature on the board exceeds safety limits.
- **ELECTRICAL** — Lever Nuts provided for electrical connections. Lever nuts allow for easy visual inspections of wire terminations. 3/8" super flexible conduit provided between electrical box and light engine/reflector assembly. Die cast conduit connector facilitates easy installation of below ceiling components. Optional in-line fusing and surge protection available, see options.
- **INSTALLATION / MOUNTING** — Universal commercial L-bar hangers and adjustable butterfly brackets provided. Also accepts 1/2" EMT conduit or 1-1/2" or 3/4" lathing channel (by others). Luminaire installs into standard T-Bar ceiling grids with 24" centers. Also installs between 16" and 24" on center ceiling joists, plastered ceilings. An 8" diameter cutout is required for the plaster frame to fit inside ceiling tiles and plaster ceiling.
- **COMPLIANCE** — Built to comply with UL1598, UL8750 and CSA C22.2 No. 250.0-8.
- **WARRANTY** — 5 Years, Defects and Workmanship.

DIMENSIONS FOR 3000 & 4000 LUMEN MODELS



DIMENSIONS FOR 1250 & 2000 LUMEN MODELS



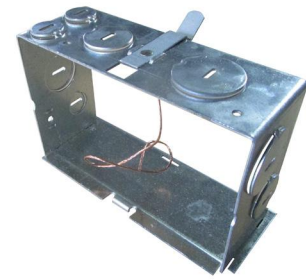
OPTIONAL COMPONENTS



(FUS) Option



(SG) Option



(JVE) Option

ORDERING GUIDE:

Series	Lamp/Wattage	Color Temp	Voltage	Options

SERIES

RM8 = RM8 Series - 8" dia. downlight

LIGHT ENGINE WATTAGE

LED15 = 15W LED (Nominal 1250 Lumens)

LED25 = 25W LED (Nominal 2000 Lumens)

LED31 = 31W LED (Nominal 3000 Lumens)

LED45 = 45W LED (Nominal 4000 Lumens)

VOLTAGE

EBU = Universal Volt Driver (120-277)

347 = 347 Volt Driver (For Canada)

COLOR TEMP (LED)

27K = ±2700K range

3K = ±3000K range

35K = ±3500K range

4K = ±4000K range

5K = ±5000K range (Available Only with LED45 - 4000 Lumen)

OPTIONS

FUS = Single In-Line Fusing (Non-Rejecting and Fast Acting)

D7 = 0-10V low-voltage LED Dimming
—(100-10% Standard, Consult Factory for Other)

D8 = (TRIAC) Forward Phase/Leading Edge Dimming Driver
—(Operates at 120 Voltage Only)

D9 = (ELV) Reverse Phase/Trailing Edge Dimming Driver
—(Operates at 120 Voltage Only)

D14 = DMX Lighting Control (Consult Factory)

JVE = Junction Box Volume Extender
—Must be ordered in conjunction with Fusing (FUS) or Surge Protection (SG) Devices

SG = 10KV Luminaire Surge Protection
—Protects against surges and transients per ANSI C62.41-2002 2015 Category C Medium (10KV, 1.2/50µS & 5KA, 8/20µS) Standard Combo Waves and (6KV, 100KHz) Ring Wave