

RM12

LED Recessed Downlight Luminaire



We reserve the right to revise the design or components of any product without notice.

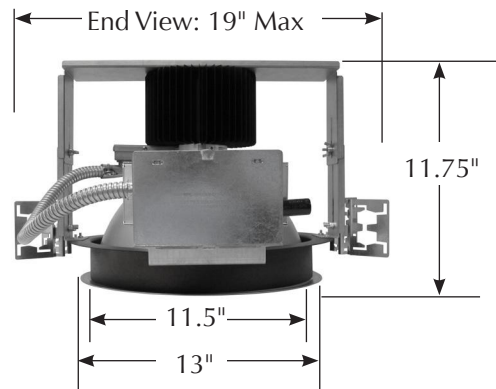
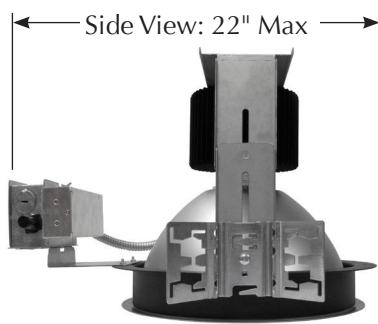
CATALOG #		TYPE
PROJECT/LOCATION		
APPROVED BY		

SPECIFICATIONS

- DRIVER — EBU (120-277V).
- REFLECTOR — Spun aluminum #1100 Haze Alzak Finish.
- BEAM — 40° Beam Spread Standard.
- MOUNTING — 18 Ga. (.048") galvanized steel die formed universal mounting frame fits most ceiling systems; min. 1/2", max. 2" thick. Thru way splice box.
- LIGHT ENGINE — 20W thru 60W LED (2200-5000 Lumen Output).
- HEAT SINK — Extruded aluminum, supports light engine. Dissipates heat from LED board.
- THERMAL DEVICE — Automatic resetting heat sensitive device for non-IC installations. Protects fixture from overheating if insulation covers fixture.
- COMPLIANCE — Built to comply with U.S. and Canadian Safety Standards. Suitable for wet location (with optional lens) under covered ceiling. LM79/LM80 tested.



DIMENSIONS



ORDERING GUIDE:	Series	LED Wattage	Color Temp	Voltage	Finish	Options

SERIES

RM12 = RM12 LED Series - 12" dia. downlight

LIGHT ENGINE WATTAGE

- LED20 = 20W LED (Nominal 2200 Lumens)
- LED31 = 31W LED (Nominal 3000 Lumens)
- LED38 = 38W LED (Nominal 4000 Lumens)
- LED60 = 60W LED (Nominal 5000 Lumens)

VOLTAGE

EBU = HighTemp Universal Volt (120-277)

COLOR TEMP (LED)

- 27K = 2700K range
- 3K = 3000K range
- 35K = 3500K range
- 4K = 4000K range

OPTIONS

- FUS = Single Fusing
- CPA = Chicago Plenum Approved
- D7 = 0-10V low-voltage LED Dimming (100-30% Standard, Consult Factory for Other)
- D8 = TRIAC, Leading Edge
- D14 = DMX—Consult Factory
- TP = Tamperproof Screws
- TPD = Tamperproof Door—Consult Factory
- LEDK = LED Retrofit Kit to convert existing fixtures
- FG = Reflector Flange Gasket

LED EMERGENCY BATTERY — Consult Factory