

GTT

Low Profile

Recessed Grid Troffer

We reserve the right to revise the design or components of any product without notice.

CATALOG #		TYPE
PROJECT/LOCATION		
APPROVED BY		

SPECIFICATIONS

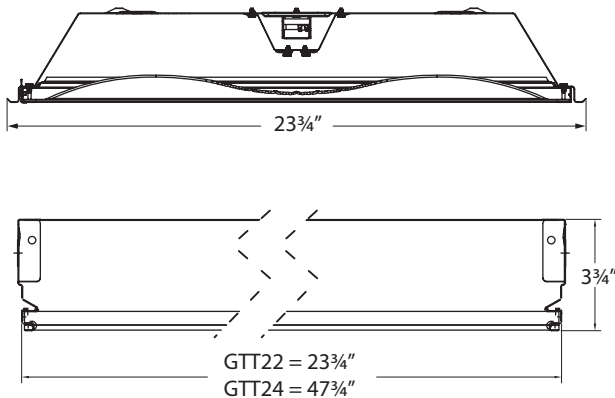
- DIMENSIONS — 23.75" Width x 23.75"/47.75" Length X 3.75" Depth.
- DRIVER — Universal Volt (120/277V) electronic driver with 0-10VDC dimming standard.
- FINISH — Pre-painted white polyster polymer. Minimum >82% reflectivity.
- HOUSING — Aluminum formed housing with white enamel finish.
- LENS — Acrylic thermoformed ribbed diffuser.
- LIGHT ENGINE — High performance energy efficient LED boards.
- COLOR TEMPERATURE — CCT: 3000K, 3500K, 4000K, 5000K. CRI >80.
- OPERATING LIFESPAN — 50,000Hrs.
- OPERATING TEMPERATURE — -4°F ~ +140°F.
- MOUNTING — Recessed Grid Troffer. Suitable for use in standard T-Bar grid ceilings
- (NEMA Types G, GN, NFG and SS).
- COMPLIANCE — Built to comply with U.S. and Canadian Safety Standards. DLC 4.2 Compliant. For Indoor Use Only.
- WARRANTY — 5-Year Limited Warranty.



ORDERING INFO

ORDERING GUIDE:	Series	Wattage	CCT	Voltage	Finish	Options
				UNV	WH	
SERIES		WATTAGE				LED COLOR TEMPERATURE (CCT)
GTT22 = Grid Troffer 2' x 2' Series		GTT22 LED Wattages				3K = ±3000K range
GTT24 = Grid Troffer 2' x 4' Series		LED50 = 50 Watt LED (4,918 Lumens)				35K = ±3500K range
		LED60 = 60 Watt LED (5,902 Lumens)				4K = ±4000K range
		GTT24 LED Wattages				5K = ±5000K range
		LED60 = 60 Watt LED (5,902 Lumens)				VOLTAGE
		LED80 = 80 Watt LED (7,869 Lumens)				UNV = Universal Volt (120-277v) Electronic Driver
		LED120 = 120 Watt LED (11,804 Lumens)				FINISH
		LED150 = 150 Watt LED (14,755 Lumens)				WH = White

DIMENSIONS



PHOTOMETRIC DATA

Test #:103866732CHI-001 Cat #: GTT22-LED60-5K-UNV-WH					
Lumen Output	Efficacy	Input Power	CCT	Distribution	BUG Rating
5902.8 Lumens	101.0 Lm/W	58.44W	5000K	Type VS	B3-U1-G1

LCS Summary	
Zone	Lumens
Forward Low (0-30)	1087.1
Forward Medium (30-60)	1570.4
Forward High (60-80)	252.2
Forward Very High (80-90)	36.9
Back Low (0-30)	1086.1
Back Medium (30-60)	1589.0
Back High (60-80)	246.8
Back Very High (80-90)	35.7
Up Low (90-100)	1.4
Up High (100-180)	0.0

