

# GTP22 / GTP24

Recessed Grid Troffer 2'x2' / 2'x4'

Durable Lightweight Plastic Frame

We reserve the right to revise the design or components of any product without notice.

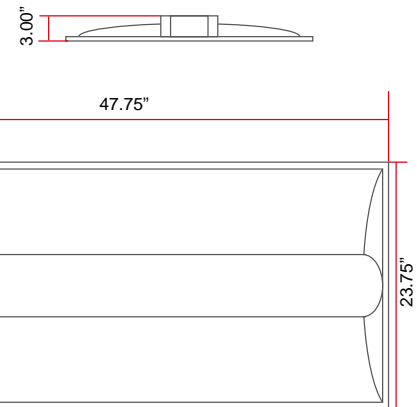
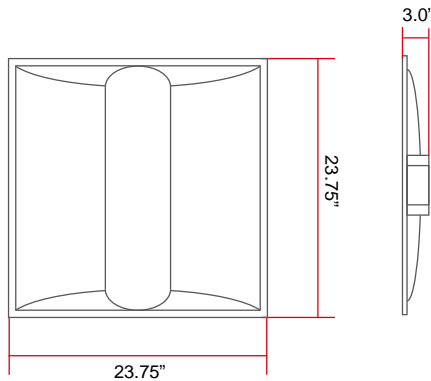
CATALOG #		TYPE
PROJECT/LOCATION		
APPROVED BY		



GTP22



GTP24



## SPECIFICATIONS

- DIMENSIONS** — GTP22: 23.75" Width x 23.75" Length X 3.0" Depth  
— GTP24: 23.75" Width x 47.75" Length X 3.0" Depth
- DRIVER** — 120-277V 50/60Hz Constant Current (EBU). 0-10V Low Voltage Dimming is standard. Power Factor >0.90. THD <20% Non-flicker.
- FINISH** — Painted White (WH).
- LENS** — Polycarbonate.
- HOUSING** — Durable fireproof plastic able to withstand 176lbs of pressure.
- LIGHT ENGINE** — Energy Efficient Light Emitting Diode (LED)Z.
- COLOR TEMPERATURE** — CCT: 3000K, 3500K, 4000K, 5000K. CRI >80.
- OPERATING TEMPERATURE** — -20°C ~ +45°C.
- OPERATING LIFESPAN** — 50,000Hrs.
- COMPLIANCE** — Built to comply with U.S. and Canadian Safety Standards. UL/cUL / DLCV4.2 Compliant. For Indoor Use Only.
- WARRANTY** — 5-Year Limited Warranty.

## APPLICATIONS

- OFFICES
- CLASSROOMS
- MALLS
- HOTEL
- LOBBIES
- RESTAURANTS
- BUS STATIONS
- MEDICAL FACILITIES
- LABORATORIES

Series	LED Wattage	Color	Voltage	Finish	Options

**SERIES**  
GTP22 = Grid Troffer Plastic Frame 2' x 2' Series  
GTP24 = Grid Troffer Plastic Frame 2' x 4' Series

**LED WATTAGE**  
GTP22 LED Wattages  
LED28 = 28 Watt LED  
LED35 = 35 Watt LED

GTP24 LED Wattages  
LED35 = 35 Watt LED  
LED40 = 40 Watt LED  
LED50 = 50 Watt LED

**LED COLOR TEMPERATURE**  
3K = ±3000K range  
35K = ±3500K range  
4K = ±4000K range  
5K = ±5000K range

**VOLTAGE**  
EBU = Universal Volt (120-277v) Electronic  
— 0-10V Low Voltage Dimming is Standard

**FINISH**  
WH = White

**OPTIONS**  
Consult Factory

**EMERGENCY BATTERY OPTIONS**  
*No onsite Emergency Power (AC or DC) is provided*  
Specify Fixture Voltage: 120V or 277V Power Feed  
A=120V or B=277V

Meets California Energy Commission Title 20:  
(CEC-400-2014-009-CMF) Efficiency Standards  
EL4W = LED 4 Watt (Integral)  
— 0-10V Low Voltage Dimming is Standard

**NOTES:** Maximum operating ambient with EL4W is 25°C.

PHOTOMETRIC DATA

Test # BLD20170726P11

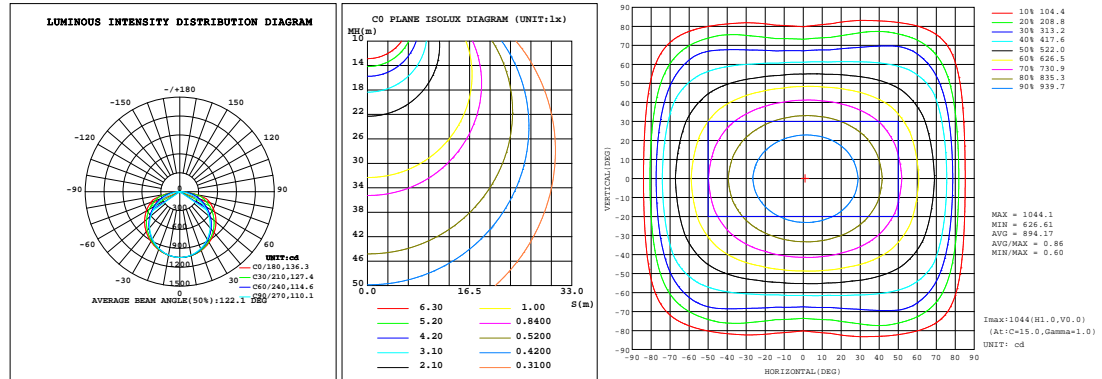
CATALOGUE #: GTP22-LED28

Test Date: 7/26/2017 — Tested in accordance with LM-79-80. The results contained in this summary report pertain only to the tested sample.

Summary of Results	
Total Lumen Output	3302.53 Lumens
Efficacy (Lm/W)	110.16 Lm/W

Electrical Test Conditions						
Temp	Voltage	Current	Power	Power Factor	Humidity	Test Distance
25°C (±1°C)	120.0	0.2366A	28.16W	0.9843	56%	12.218m

Zonal Lumen Summary		
Zone	Lumens	% Luminaire
0-10	98.74	2.99
10-20	283.5	11.6
20-30	432.7	24.7
30-40	529.3	40.7
40-50	564.6	57.8
50-60	536.8	74.1
60-70	451.9	87.7
70-80	313.7	97.2
80-90	89.85	100.0
90-100	1.316	100.0
100-180	0.0662	100.0



PHOTOMETRIC DATA

Test # BLD20170726P10

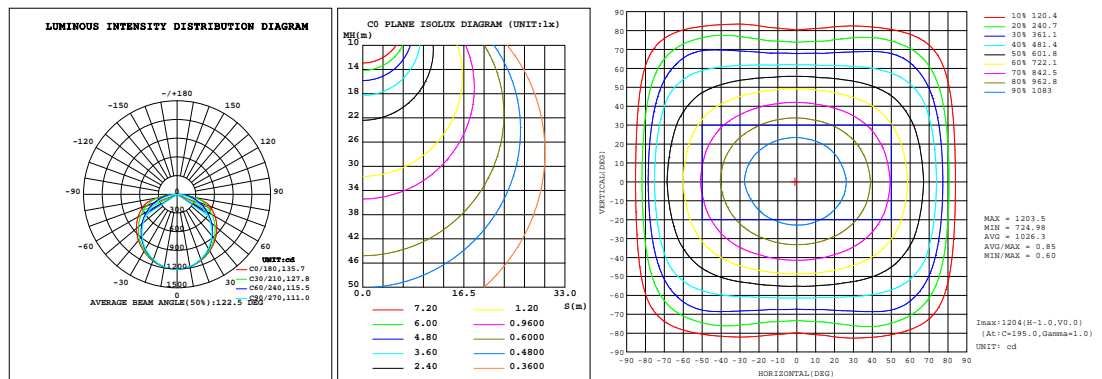
CATALOGUE #: GTP22-LED35

Test Date: 7/26/2017 — Tested in accordance with LM-79-80. The results contained in this summary report pertain only to the tested sample.

Summary of Results	
Total Lumen Output	3799.62 Lumens
Efficacy (Lm/W)	109.97 Lm/W

Electrical Test Conditions						
Temp	Voltage	Current	Power	Power Factor	Humidity	Test Distance
25°C (±1°C)	120.0	0.2913A	34.55W	0.9869	56%	12.218m

Zonal Lumen Summary		
Zone	Lumens	% Luminaire
0-10	113.6	2.99
10-20	326.1	11.6
20-30	497.5	24.7
30-40	608.6	40.7
40-50	649.3	57.8
50-60	617.9	74.0
60-70	520.9	87.7
70-80	361.3	97.3
80-90	102.9	100.0
90-100	1.477	100.0
100-180	0.0797	100.0



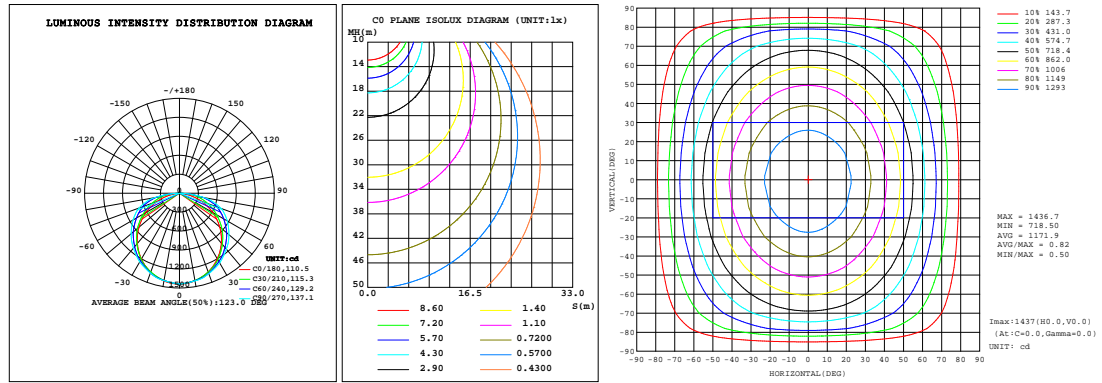
PHOTOMETRIC DATA

Test # BLD20171116N01

CATALOGUE #: GTP24-LED35

Summary of Results		
Total Lumen Output	4569.63 Lumens	
Efficacy (Lm/W)	128.69 Lm/W	
Zonal Lumen Summary		
Zone	Lumens	% Luminaire
0-5	34.16	0.75
5-10	101.1	2.96
10-15	164.9	6.57
15-20	223.7	11.5
20-25	274.9	17.5
25-30	317.8	24.4
30-35	351.4	32.1
35-40	374.2	40.3
40-45	386.5	48.8
45-50	388.2	57.3
50-55	379.1	65.6
55-60	360.3	73.4
60-65	332.7	80.7
65-70	297.1	87.2
70-75	251.4	92.7
75-80	193.5	97.0
80-85	113.6	99.5
85-90	24.57	100.0

Electrical Test Conditions						
Temp	Voltage	Current	Power	Power Factor	Humidity	Test Distance
25°C (±1°C)	120.0	0.1684A	35.51W	0.9589	54%	12.218m



Test Date: 11/16/2017 — Tested in accordance with LM-79-80. The results contained in this summary report pertain only to the tested sample.

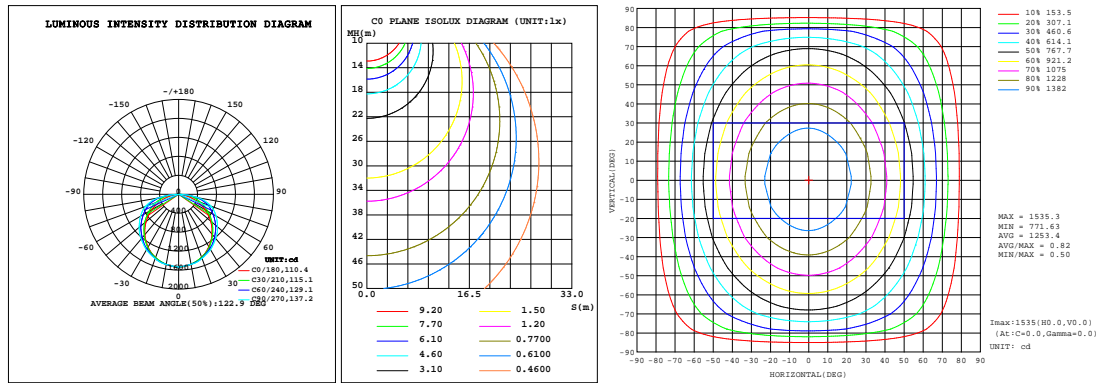
PHOTOMETRIC DATA

Test # BLD20171116N02

CATALOGUE #: GTP24-LED40

Summary of Results		
Total Lumen Output	4881.85 Lumens	
Efficacy (Lm/W)	127.73 Lm/W	
Zonal Lumen Summary		
Zone	Lumens	% Luminaire
0-5	36.50	0.75
5-10	108.0	2.96
10-15	176.2	6.57
15-20	239.0	11.5
20-25	293.7	17.5
25-30	339.6	24.4
30-35	375.4	32.1
35-40	399.7	40.3
40-45	412.7	48.8
45-50	414.4	57.3
50-55	404.5	65.5
55-60	384.3	73.4
60-65	354.9	80.7
65-70	317.1	87.2
70-75	268.6	92.7
75-80	207.4	96.9
80-85	122.4	99.4
85-90	26.67	100.0

Electrical Test Conditions						
Temp	Voltage	Current	Power	Power Factor	Humidity	Test Distance
25°C (±1°C)	120.0	0.1805A	38.22W	0.9626	54%	12.218m



Test Date: 11/16/2017 — Tested in accordance with LM-79-80. The results contained in this summary report pertain only to the tested sample.

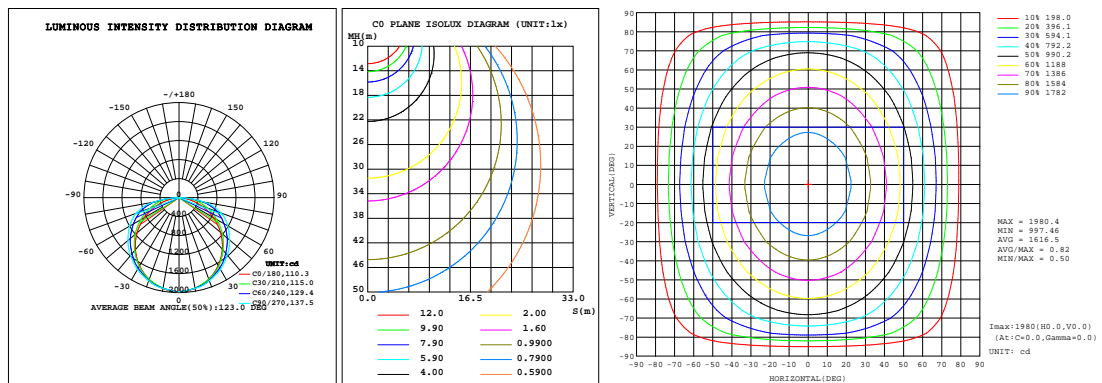
PHOTOMETRIC DATA

Test # BLD20171116N03

CATALOGUE #: GTP24-LED50

Summary of Results		
Total Lumen Output	6375.3 Lumens	
Efficacy (Lm/W)	125.35 Lm/W	
Zonal Lumen Summary		
Zone	Lumens	% Luminaire
0-5	47.09	0.75
5-10	139.4	2.96
10-15	227.4	6.57
15-20	308.4	11.5
20-25	379.0	17.5
25-30	438.3	24.4
30-35	484.6	32.1
35-40	516.0	40.3
40-45	533.0	48.8
45-50	535.3	57.3
50-55	522.6	65.5
55-60	496.7	73.4
60-65	458.8	80.7
65-70	409.8	87.2
70-75	346.8	92.7
75-80	267.3	97.0
80-85	157.3	99.4
85-90	34.10	100.0

Electrical Test Conditions						
Temp	Voltage	Current	Power	Power Factor	Humidity	Test Distance
25°C (±1°C)	120.0	0.2397A	50.86W	0.9642	54%	12.218m



Test Date: 7/26/2017 — Tested in accordance with LM-79-80. The results contained in this summary report pertain only to the tested sample.

