

# VTC-KT

Vapor-Tite / Shallow Lens

Selectable Wattage / CCT Capability

Polycarbonate Non-Corrosive Housing

Damp / Dusty / Wet Locations

We reserve the right to revise the design or components of any product without notice.

CATALOG #		TYPE
PROJECT/LOCATION		
APPROVED BY		

## SPECIFICATIONS

- DRIVER — Universal Volt 120/277V Electronic Driver with 0-10V dimming is standard.
- EMERGENCY — Integral LED Emergency Battery.
- FINISH — All metal parts are phosphate pre-treated and finished in white oven baked polyester powder coat.
- GASKETING — Continuous Poured in Place to seal Outside Contaminants.
- HOUSING — Polycarbonate.
- LATCHES — Stainless Steel (SSL) Snap-In Latches - Standard.
- LENS — Polycarbonate frosted diffuser with integrated powder coated gear tray.
- LIGHT ENGINE — Energy efficient LED - Selectable Wattage / CCT Capability.
- COLOR RENDERING INDEX — >80Ra.
- BEAM ANGLE — 165°/120°.
- OPERATING TEMPERATURE — -40°C - 50°C / -40°F - 122°F.
- RATED LIFETIME — 50,000 Hours.
- MOUNTING — Standard Stainless Steel Mounting Brackets—Included with Fixture Snap onto housing (no holes to drill through housing). Optional Suspended Chain Mounting.
- COMPLIANCE — Built to comply with U.S. and Canadian Safety Standards. Suitable for indoor damp and outdoor wet location installations. RoHS / CE / FC Compliant. UL/cUL Certified. IP65 / IK08 Rated.
- WARRANTY — 5-year Limited Warranty.



## ORDERING INFO

ORDERING GUIDE:	Series	Wattage	CCT	Voltage	Options
	VTC-KT	SLED	SCCT	UNV	

### SERIES

VTC-KT = VTC-KT - Selectable Wattage / CCT Series

### WATTAGE

SLED = \*Selectable LED: 32W | 40W | 50W  
 — 32 Watt = 4160 Lumens  
 — 40 Watt = 5200 Lumens  
 — 50 Watt = 6500 Lumens

### COLOR TEMPERATURE (CCT)

SCCT = \*Selectable CCT: 3000K | 4000K | 5000K

\*Note: Fixtures will ship from factory at lowest wattage and warmest CCT. It is the installer's responsibility to set the fixture at the desired wattage and CCT for their project.

### VOLTAGE

UNV = Universal Volt (120-277v) Electronic Driver

### MOUNTING OPTIONS

CHM = Chain Hung Mount

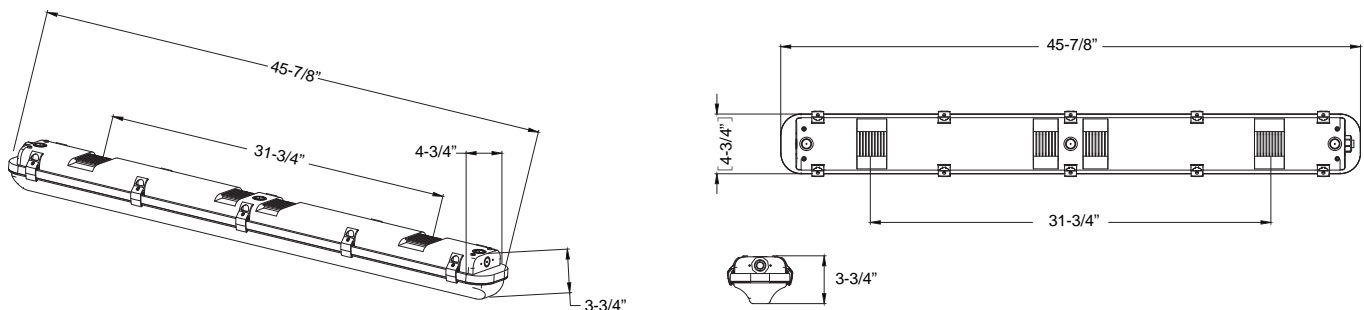
### SENSOR OPTIONS

BLDA = Bi-Level Dimming | Motion Sensor Integral  
 — Light Control Steps: 100% - DIM% - OFF  
 DIM%: 50% / 30% / 20% / 10%  
 — Two Periods of Selectable Waiting Time:  
 Motion Hold-Time / Stand-by Time  
 — Selectable Daylight Threshold  
 — Choice of Detection Area

### EMERGENCY BATTERY OPTIONS

EL8W = Integral 8 Watt Emergency Battery  
 — 100-277V, 50/60 Hz  
 — 50mA, 3W Input / 25-50Vdc  
 — 250mA, 8W Output  
 — Charge Time, 24 Hours Run Time, 90 Min  
 EL15W = Integral 15 Watt Emergency Battery  
 — 100-277V, 50/60 Hz  
 — 65mA, 4W Input / 25-50Vdc  
 — 850mA, 13.5W Output  
 — Charge Time, 24 Hours Run Time, 90 Min

## DIMENSIONS



# VTC-KT

Vapor-Tite / Shallow Lens  
 Selectable Wattage / CCT Capability  
 Polycarbonate Non-Corrosive Housing  
 Damp / Dusty / Wet Locations

We reserve the right to revise the design or components of any product without notice.

CATALOG #		TYPE
PROJECT/LOCATION		
APPROVED BY		

## FEATURES



**All Polycarbonate Construction**  
 V0 Fire retardant polycarbonate housing ensures a high standard of safety and a maximum impact rating of IK08.



**Polycarbonate Diffuser**  
 The polycarbonate diffuser with the integrated lighting tray provide a secure enclosure for the LEDs while saving time on installation and maintenance.

## PRODUCT DETAILS



J-BOX Mounting Bracket



**Polycarbonate Lens**  
 ≤ 92% Light Transmittance



Adjustable Mounting Brackets

## PHOTOMETRIC DATA

Summary of Results   VTC-KT-SLED-40W-SCCT-5K					
Lumen Output	Efficacy	Input Power	CCT	Distribution	BUG Rating
5168.2 Lumens	133.5 Lm/W	38.7W	5000K	Type VS	B2-U3-G2

LCS Summary	
Zone	Lumens
Forward Low (0-30)	495.6
Forward Medium (30-60)	1038.1
Forward High (60-80)	586.9
Forward Very High (80-90)	190.8
Back Low (0-30)	495.6
Back Medium (30-60)	1038.1
Back High (60-80)	586.9
Back Very High (80-90)	190.8
Up Low (90-100)	267.6
Up High (100-180)	277.8

