

SCS8

STAINLESS STEEL SERIES LED Corner Mount Luminaire Vandal Resistant / IP65

We reserve the right to revise the design or components of any product without notice.

CATALOG #		TYPE
PROJECT/LOCATION		
APPROVED BY		



SPECIFICATIONS

- **HOUSING** — 18 gauge 304 stainless steel. Die formed with seam welded and ground smooth construction. Provided with eight 3/4" trade size knockouts (three on top, three on back and one on each end of housing).
- **DOOR-FRAME** — 18 gauge 304 stainless steel. Die formed with seam welded and ground smooth construction. One piece in-lay style securely holds lensing and LED filters via 304 stainless steel hold downs. Corners are welded and ground smooth to provide water tight construction.
- **LENS** — High impact Vandal Resistant, 0.187" thick Clear Prismatic Polycarbonate (standard). Lensing is sealed into door-frame with durable and long lasting neoprene and/or EPDM gasketing, for water tight application. (Lens installed with smooth face outwards for easy cleaning).
- **GASKETING** — UL Recognized, Neoprene Closed Cell gasketing used for sealing door-frame to housing.
- **HARDWARE** — All supplied mechanical hardware is corrosion resistant stainless steel.
- **FINISH** — Housing and Door-frame finished in natural satin no.4, housing furnished raw.
- **MOUNTING** — Four point mounting with 3/8" hardware (By Others).
- **DRIVERS** — UL Listed, Universal voltage drivers (120 thru 277V) with 0-10V dimming capability. FCC Class A compliant with a minimum power factor of 0.90%. Drivers have a minimum starting temperatures of -30°C.
- **LEDS** — LED arrays offered with Samsung or Philips with discreet chips. Minimum CRI > 80. Correlated color temperature offered is 5000K. LED arrays are secured to a removable 1/8" thick aluminum plate with tested thermal management and easy replacement for future maintenance.
- **OPERATING TEMPERATURE** — 40°C Ambient.
- **WIRING** — All wiring rated for 1000V.
- **COMPLIANCE** — Built to comply with US and Canadian safety standards. Suitable for wet locations and IP65.
- **MADE IN USA** — The products listed are manufactured in the U.S. and comply with the Buy America / Buy American Act requirements for Transit systems as prescribed in: 49 U.S. C§ 5323(j)/49 CFR Part 661.
- **WARRANTY** — 10-year warranty.



APPLICATIONS

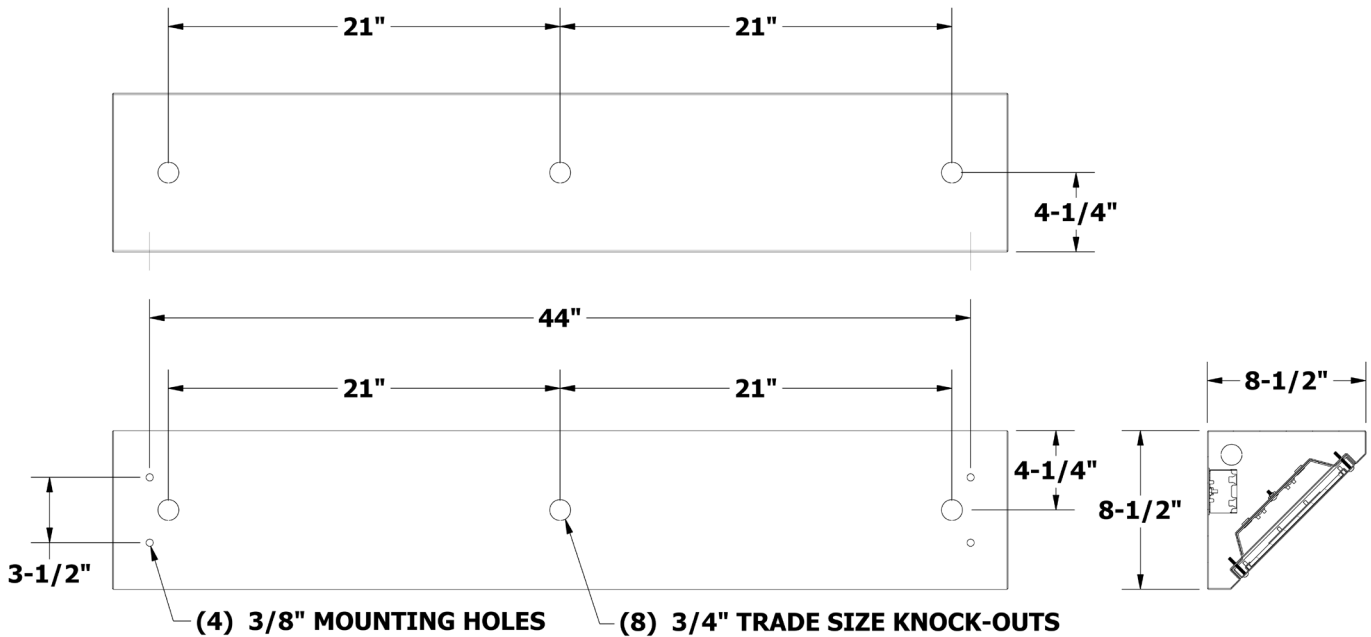
- TRANSPORTATION APPLICATIONS
- ATHLETIC FACILITIES
- NATATORIUMS / PUBLIC POOLS
- SCHOOLS
- LOCKER ROOMS
- HOSPITALS
- PUBLIC HOUSING COMPLEXES
- ROADWAY UNDERPASSES
- STAIRWELLS
- TRUCK DOCKS
- VANITY
- ASSISTED LIVING

SCS8

STAINLESS STEEL SERIES

LED Corner Mount Luminaire

Vandal Resistant / IP65



ORDERING GUIDE:	Series	Length	Wattage	CCT	Voltage	Options

SERIES

SCS8 = Stainless Steel Corner Mount Luminaire

LENGTH

4' = 48" Length x 8 1/2" Tall x 8 1/2" Depth

LED WATTAGE

LED40 = (4')40 Watt

LED50 = (4')50 Watt

LED60 = (4')60 Watt

LED70 = (4')70 Watt

LED COLOR TEMPERATURE (CCT)

3K = ±3000K Range LED

35K = ±3500K Range LED

4K = ±4000K Range LED

5K = ±5000K Range LED

VOLTAGE

EBU = Universal Volt (120-277v)
Electronic Driver

LENS OPTIONS

80 = .125" Thick Clear Prismatic Polycarbonate

81 = .156" Thick Clear Prismatic Polycarbonate

82 = .187" Thick Clear Prismatic Polycarbonate

93 = .156" Thick Clear C73 Prismatic Tempered Glass

GC = Glare Control Optic

— Controls Pupilation and Produces a Softer Distribution

— **Ordered in Addition to Other Lensing**

OPTIONS

2D7 = 2 Drivers, 120-277V, 0-10 Dimmable

AM = Anti-Microbial Finish

CHL = Custom Mounting Holes

— Contractor must request shop drawing for hole location markup.

Shop drawings must be returned signed and approved as noted.

CRS = 18 Gauge Cold Rolled Steel Construction

— Housing, Door-frame and Internal Bracketry.

— All parts finished in Sky White Polyester Powder Coat.

EPX = Epoxy Coated Housing

NAT = Natatorium Construction

SS = 18 Gauge 304 Stainless Steel Housing (Standard)

— (Ceiling side faces finished in Natural Satin No.4 Finish).

TP = Center Pin Reject style Security Lock-up screws for door frame.

— 18-8 Stainless Steel.

EMERGENCY BATTERY OPTIONS

No onsite Emergency Power (AC or DC) is provided

Specify Fixture Voltage: 120V or 277V Power Feed

A=120V or B=277V

Meets California Energy Commission Title 20:
(CEC-400-2014-009-CMF) Efficiency Standards

EL4W = Integral LED 4 Watt — 500 Lumens

EL8W = Integral LED 8 Watt — 1000 Lumens

EL16W = Integral LED 16 Watt — 2000 Lumens

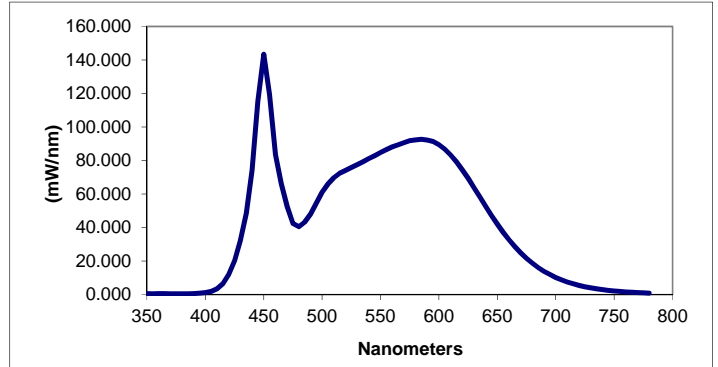
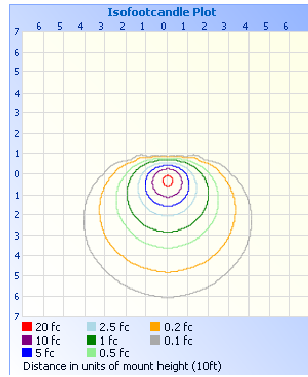
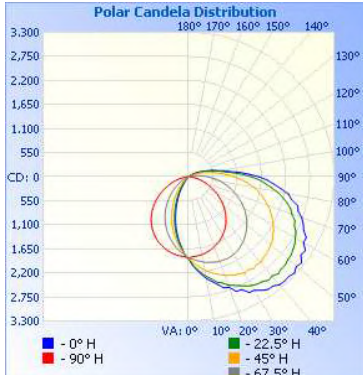
PHOTOMETRIC DATA

Test # 103096176CHI-005

CATALOGUE #: SCS8-4'-LED70-5K-EBU-80-SS

Test Date: 5/2/2018 — Tested in accordance with LM-79-80. The results contained in this summary report pertain only to the tested sample.

Summary of Results								
Lamp Output	Lumen Efficacy	Input Voltage	Input Current	Input Wattage	Power Factor	Delta UV (Duv)	Color Temp	CRI
8042.3 Lumens	111.1 LPW	119.99V	605.90mA	72.42W	0.996	0.0004	5069K	83.9



PHOTOMETRIC DATA

Test # 103096176CHI-005-M

CATALOGUE #: SCS8-4'-LED45-5K-EBU-80-SS

Test Date: 5/1/2018 — Tested in accordance with LM-79-80. The results contained in this summary report pertain only to the tested sample.

Summary of Results								
Lamp Output	Lumen Efficacy	Input Voltage	Input Current	Input Wattage	Power Factor	Delta UV (Duv)	Color Temp	CRI
4711.2 Lumens	103.5 LPW	119.99V	379.19mA	45.5W	0.996	0.0004	5096K	83.9

