

SCS6

STAINLESS STEEL SERIES
LED Corner Mount Luminaire
Vandal Resistant / IP65



ARRA
Compliant

We reserve the right to revise the design or components of any product without notice.

CATALOG #		TYPE
PROJECT/LOCATION		
APPROVED BY		



SPECIFICATIONS

- **HOUSING** — 18 gauge 304 stainless steel. Die formed with seam welded and ground smooth construction. Provided with eight 3/4" trade size knockouts (three on top, three on back and one on each end of housing).
- **DOOR-FRAME** — 18 gauge 304 stainless steel. Die formed with seam welded and ground smooth construction. One piece in-lay style securely holds lensing and LED filters via 304 stainless steel hold downs. Corners are welded and ground smooth to provide water tight construction.
- **LENS** — High impact Vandal Resistant, 0.156" thick Clear Prismatic Polycarbonate (standard). Lensing is sealed into door-frame with durable and long lasting neoprene and/or EPDM gasketing, for water tight application. (Lens installed with smooth face outwards for easy cleaning).
- **GASKETING** — UL Recognized, Neoprene Closed Cell gasketing used for sealing door-frame to housing.
- **HARDWARE** — All supplied mechanical hardware is corrosion resistant stainless steel.
- **FINISH** — Housing and Door-frame finished in natural satin no.4, housing furnished raw.
- **MOUNTING** — Four point mounting with 3/8" hardware (By Others). Tandem (TDM) and Pendant (PEND) and Pendant with Rotateable Bracket (PEND-RB) options are available.
- **DRIVERS** — UL Listed, Universal voltage drivers (120 thru 277V) with 0-10V dimming capability. FCC Class A compliant with a minimum power factor of 0.90%. Drivers have a minimum starting temperatures of -30°C.
- **LEDS** — LED arrays offered with Samsung or Philips with discreet chips. Minimum CRI > 80. Correlated color temperature offered is 5000K. LED arrays are secured to a removable 1/8" thick aluminum plate with tested thermal management and easy replacement for future maintenance.
- **OPERATING TEMPERATURE** — 40°C Ambient.
- **WIRING** — All wiring rated for 1000V.
- **COMPLIANCE** — Built to comply with US and Canadian safety standards. Suitable for wet locations and IP65.
- **MADE IN USA** — The products listed are manufactured in the U.S. and comply with the Buy America Act requirements for Transit systems as prescribed in: 49 U.S. C§ 5323(j)/49 CFR Part 661.
- **WARRANTY** — 5-year warranty.

APPLICATIONS

- TRANSPORTATION APPLICATIONS
- ATHLETIC FACILITIES
- NATATORIUMS / PUBLIC POOLS
- SCHOOLS
- LOCKER ROOMS
- HOSPITALS
- PUBLIC HOUSING COMPLEXES
- ROADWAY UNDERPASSES
- STAIRWELLS
- TRUCK DOCKS
- VANITY
- ASSISTED LIVING

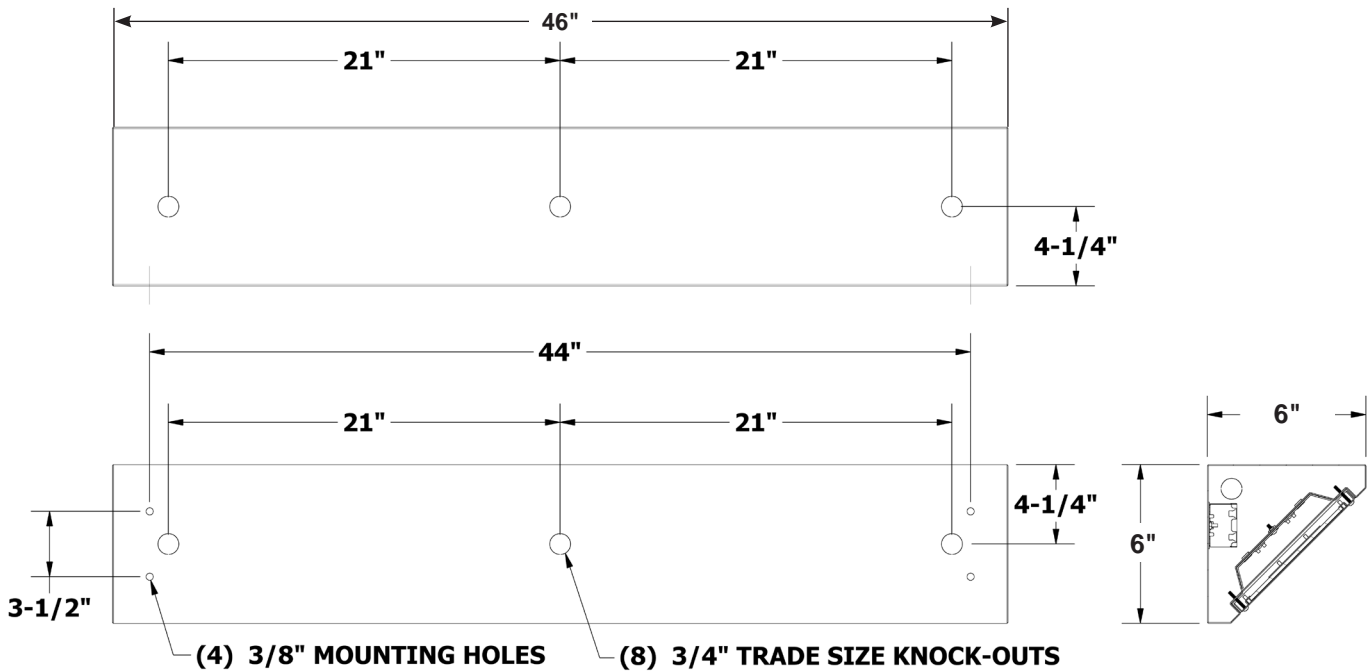


SCS6

STAINLESS STEEL SERIES

LED Corner Mount Luminaire

Vandal Resistant / IP65



ORDERING GUIDE:	Series	Length	Wattage	CCT	Voltage	Options

SERIES

SCS6 = Stainless Steel Corner Mount Luminaire

LENGTH

4' = 46" Length x 6" Tall x 6" Depth

LED WATTAGE

LED40 = (4')40 Watt

LED50 = (4')50 Watt

LED60 = (4')60 Watt

LED70 = (4')70 Watt

LED COLOR TEMPERATURE (CCT)

3K = ±3000K Range LED

35K = ±3500K Range LED

4K = ±4000K Range LED

5K = ±5000K Range LED

TUW = Tunable White — 3000K-5000K

VOLTAGE

347 = 347 Volt

EBU = Universal Volt (120-277v) Electronic Driver

LENS OPTIONS

81 = .156" Thick Clear Prismatic Polycarbonate (Standard)

82 = .187" Thick Clear Prismatic Polycarbonate

93 = .156" Thick Clear C73 Prismatic Tempered Glass

GC = Glare Control Optic

— Controls Pixilation and Produces a Softer Distribution

— **Ordered in Addition to Other Lensing**

OPTIONS

2D7 = 2 Drivers, 120-277V, 0-10 Dimmable

AL = 14 Gauge Aluminum Construction

AM = Anti-Microbial Finish

BT = Blue Tooth Connectivity (Consult Factory)

CHL = Custom Mounting Holes

— Contractor must request shop drawing for hole location markup. Shop drawings must be returned signed and approved as noted.

CRS = 18 Gauge Cold Rolled Steel Construction

— Housing, Door-frame and Internal Bracketry.

— All parts finished in Sky White Polyester Powder Coat.

EPX = Epoxy Coated Housing

MSI1 = Motion Sensor Integral 1 (Single Circuit)

— Light Levels: OFF / 100%

MSI2 = Motion Sensor Integral 2 (Single Circuit)

— Light Levels: 50% / 100%

MSI3 = Motion Sensor Integral 3 (Single Circuit)

— Light Levels: OFF / DIM / 100%

NAT = Natatorium Construction

PEND = Pendant Mounting Kit, 1/2" conduit entrance hole.

— (2) 12" Length Stems Included; Custom length as needed.

— 43-7/8" Distance (on center) between Stems

— **Rotatable Bracket Option (PEND-RB)**

SS = 18 Gauge 304 Stainless Steel Housing (Standard)

— (Ceiling side faces finished in Natural Satin

No.4 Finish).

TDM = Tandem Mount (Consult Factory)

— Mounting Hardware Included

TP = Center Pin Reject style Security Lock-up screws

for door frame.

— 18-8 Stainless Steel.

WIFI = Wi-Fi Connectivity (Consult Factory)

EMERGENCY BATTERY OPTIONS

No onsite Emergency Power (AC or DC) is provided

Specify Fixture Voltage: 120V or 277V Power Feed

A=120V or B=277V

Meets California Energy Commission Title 20:

(CEC-400-2014-009-CMF) Efficiency Standards

EL4W = Integral LED 4 Watt — 500 Lumens

EL8W = Integral LED 8 Watt — 1000 Lumens

EL16W = Integral LED 16 Watt — 2000 Lumens

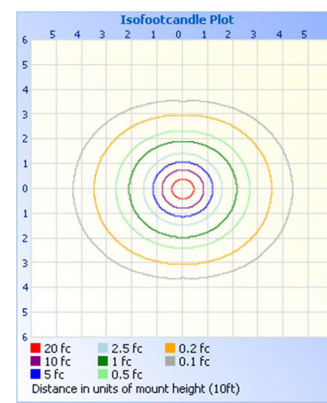
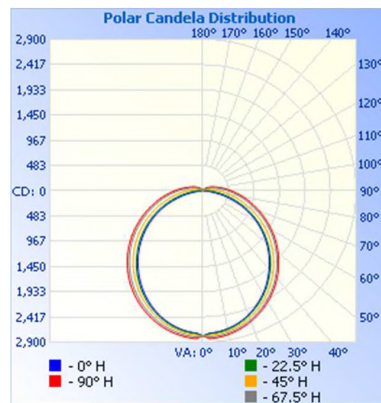
PHOTOMETRIC DATA

Test # 102063649CHI-030

Test Date: 2/13/2017 — Tested in accordance with LM-79-80. The results contained in this summary report pertain only to the tested sample.

Electrical Test Conditions						
Temp	Voltage	Current	Power	Power Factor	Current THD	BUG Rating
25°C (±1°C)	120.0	0.843mA	100.8W	0.996	7.50%	B3-U3-G3

Summary of Results		
Total Lumen Output	9713 Lumens	
Efficacy (Lm/W)	96.36 Lm/W	
CRI	87.7	
CCT	4131K	
Duv	0.002	
Zonal Lumen Summary		
Zone	Lumens	% Luminaire
0-30	2155	23.3
0-40	3537	38.2
0-60	6351	68.6
60-90	2354	25.4
0-90	8705	94.0
90-180	552.7	6.0
0-180	9258	100.0
Chromaticity Coordinates		
Chromaticity (x)	0.374	
Chromaticity (y)	0.369	
Chromaticity (u')	0.224	
Chromaticity (v')	0.497	



Spectral Data Over Visible Wavelengths

