

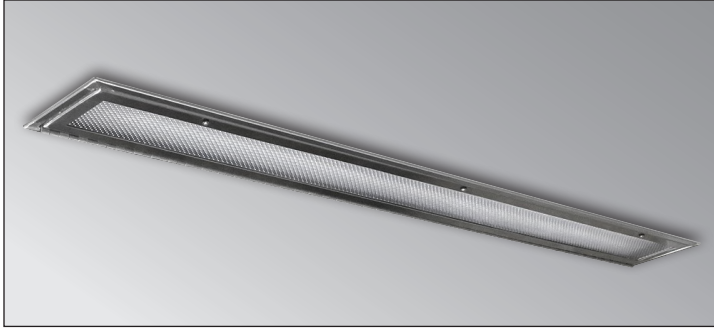
RFS6 4' or 2'

STAINLESS STEEL SERIES

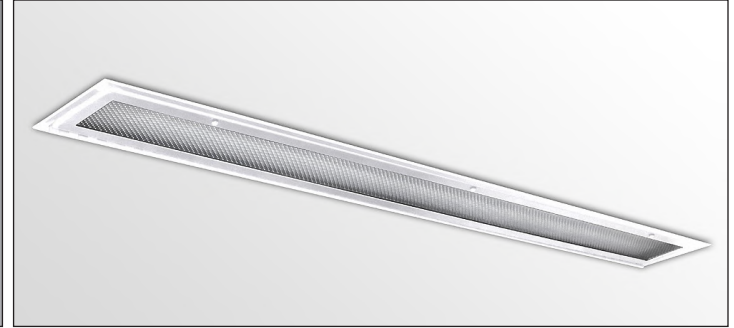
Plaster Frame Recessed Linear Luminaire LED Vandal Resistant (NON-IC)

We reserve the right to revise the design or components of any product without notice.

CATALOG #		TYPE
PROJECT/LOCATION		
APPROVED BY		



RFS6 Standard Stainless Steel (SS)



RFS6 Optional White Finish (WH)

SPECIFICATIONS

- **HOUSING** — 18 gauge 304 stainless steel. Die formed with seam welded and ground smooth construction. Provided with three 7/8" trade size knockouts (one on top and one on each end of housing. Offered in 2' and 4' versions. Optional CRS, Aluminum.
- **DOOR-FRAME** — 18 gauge 304 stainless steel. Die formed with seam welded and ground smooth construction. One piece in-lay style securely holds lensing and LED filters via 304 stainless steel hold downs. Corners are welded and ground smooth to provide water tight construction..
- **HINGE** — 304 stainless steel piano hinge, secures door-frame flush into recessed housing flange. Hinge is riveted to the housing while door-frame mechanically attaches to hinge for easy replacement.
- **LENS** — High impact Vandal Resistant, 0.187" thick Clear Prismatic Polycarbonate (standard). Lensing is sealed into door-frame with durable and long lasting neoprene and/or EPDM gasketing, for water tight application. (Optional) LED diffusion layer (GC) removes LED image and striations, refer to lensing options.
- **REFLECTOR** — 20 gauge die formed aluminum, dual internal linear reflectors painted high white with an LRV of 95%. Increases luminaire delivered efficiency by recollecting and reflecting all spill light out of the luminaire aperture.
- **GASKETING** — UL Recognized, Neoprene Closed Cell gasketing used for sealing door-frame to housing.
- **HARDWARE** — All supplied mechanical hardware is corrosion resistant stainless steel. All internal threads are applied with thread locking cement to prevent loosening from vibrations. Tamper-proof security screws are provided for door-frame lockup to housing. Captive fasteners fasten and secure the LED reflector assembly for easy access during maintenance of drivers and fuses.
- **FINISH** — Housing and Door-frame finished in natural satin no.4, housing furnished raw. Optional White (WH) Finish.
- **MOUNTING** — Recessed Ceiling Mount (RCM).
- **DRIVERS** — UL Listed, Universal voltage drivers (120 thru 277V) with 0-10V dimming capability. FCC Class A compliant with a minimum power factor of 0.90%. Drivers have a minimum starting temperatures of -30°C. (Drivers by Philips Advance, Thomas Research Products, Osram or Inventronics).
- **LEDS** — LED arrays offered with Samsung, Philips Lumileds or Nichia discreet chips. Minimum CRI > 80. Correlated color temperature offered is 4000K & 5000K. Wires connections are soldered to prevent disconnection from vibrations. LED arrays are secured to a removable 1/8" thick aluminum plate with tested thermal management and easy replacement for future maintenance.
- **OPERATING TEMPERATURE** — 40°C Ambient.
- **WIRING** — All wiring rated for 1000V.
- **COMPLIANCE** — Built to comply with US and Canadian safety standards. Suitable for wet locations. 3G Vibration Certified. IP65 Rated.
- **MADE IN USA** — The products listed are manufactured in the U.S. and comply with the Buy America Act requirements for Transit systems as prescribed in: 49 U.S. C§ 5323(j)/49 CFR Part 661. **Made in USA / Buy America Compliant / Buy American Act.**
- **WARRANTY** — 5 Year warranty Standard. *10-year Pro Rated warranty is optional.

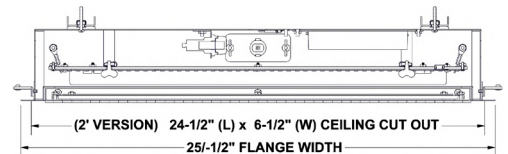
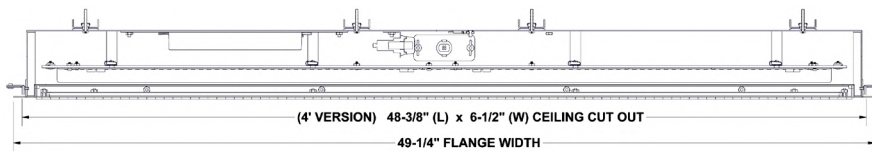
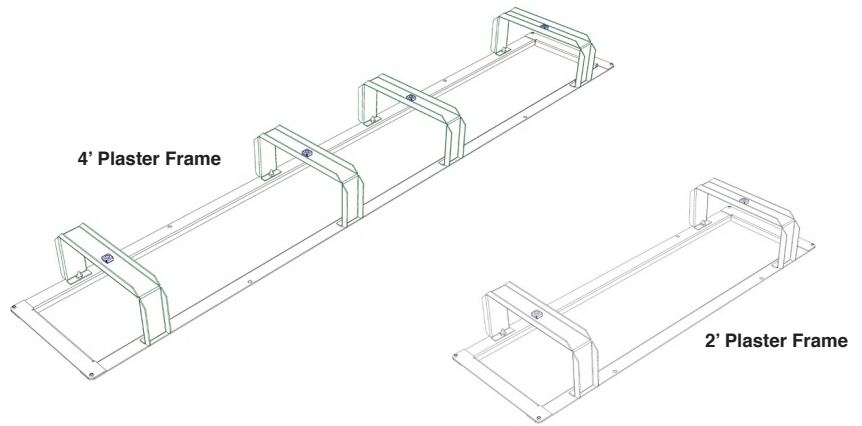
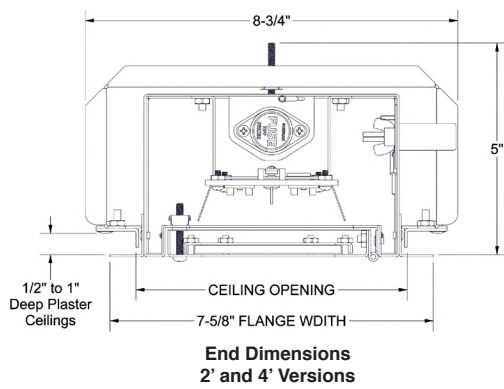
*LED Drivers have a life expectancy less than 10 years based on 24/7 burn hours and normal ambient operating temperatures when mounted integral to fixture.



APPLICATIONS

- TRANSPORTATION / TRANSIT APPLICATIONS
- NATATORIUMS / SWIMMING POOLS
- EAVES
- CANOPIES
- LOCKER ROOMS
- STAIRWELLS
- SCHOOLS / UNIVERSITIES

DIMENSIONS



Series	Length	LED Wattage	CCT	Voltage	Options

SERIES

- RFS6** = Stainless Steel Recessed Plaster Frame Luminaire
— Uses lay-in plaster frame, above ceiling line wire access required for installation.

LENGTH

- 2'** = 6" Wide x 24" Length
4' = 6" Wide x 48" Length

LED WATTAGE

- LED25** = (2')25 Watt
LED30 = (2')30 Watt
LED45 = (4')45 Watt
LED72 = (4')72 Watt

LED COLOR TEMPERATURE (CCT)

- 3K** = ±3000K Range LED
35K = ±3500K Range LED
4K = ±4000K Range LED
5K = ±5000K Range LED

VOLTAGE

- UNV** = Universal Volt (120-277v) Driver
2UNV = Two Universal Volt (120-277v) Drivers

LENS OPTIONS

- 80** = 0.125" Thick, Clear Prismatic Polycarbonate
81 = 0.156" Thick, Clear Prismatic Polycarbonate
82 = 0.187" Thick, Clear Prismatic Polycarbonate
93 = 0.156" Thick, Clear C73 Prismatic Tempered Glass
GC = Glare Control Optic, Controls Pixilation and produces a softer Distribution. (Ordered in addition to other lensing)

FINISH OPTIONS

- AM** = Anti-Microbial Finish
BK = Black Finish
WH = White Finish
— Consult Factory for Other Finishes & Minimum Order Qty
NAT = Epoxy Coating for Natatorium
— Includes Conformal Coating of LEDs

MISC OPTIONS

- AL** = Aluminum Construction
ASH = All Stainless Steel Hardware
— (Includes Screws, Nuts, PEMS & 1/4" Turn Fasteners.)
CP = Concrete Pour
CRS = 18 Gauge Cold Rolled Steel Construction
— (Housing, Doorframe, Hinging and Internal bracketry)
— All parts finished in Sky White Polyester Powder Coat.
FUSE = Single Inline Fusing
HNGL = Hingeless Door Frame (Supplied with 6-Security Screws)
SS = 18 Gauge 304 Stainless Steel Housing (Standard)
— (Ceiling side faces finished in Natural Satin No.4 Finish).
TP = Center Pin Reject style Security Lock-up screws for door frame.
— 18-8 Stainless Steel.
W10 = 10 Year Pro-Rated Limited Warranty

DIMMING OPTIONS

- Note: 0-10V 100%-30% is Standard**
D7A = 0-10VDC LED Dimming Driver (100-10%)
D7B = 0-10VDC LED Dimming Driver (100-1%)

CONTROL OPTIONS

- Note: See Accessory Options for Required Remote Controller**
OCC = Occupancy Sensing | Motion Sensor Integral[®]
— Microwave / Single Feed / 120/277V Only
— Standby Dim Level Presets: ON/OFF (0%/100%)
BLD = Bi-Level Dimming | Motion Sensor Integral[®]
— Microwave / Single Feed / 120/277V Only
— Standby Dim Level Presets:
10% / 20% / 30% (Standard) / 50%
BLS = Bi-Level Switching — Using 2 Drivers (2UNV)

EMERGENCY / BATTERY OPTIONS

No onsite Emergency Power (AC or DC) is provided
***NOT Compatible with TUC/TUW Options**


Meets California Energy Commission Title 20: (CEC-400-2014-009-CMF) Efficiency Standards

- EL4W** = Integral LED 4 Watt — 500 Lumens
EL8W = Integral LED 8 Watt — 1000 Lumens
EL16W = Integral LED 16 Watt — 2000 Lumens

ACCESSORY OPTIONS (order as a separate line)

- 9002** = Tamperproof Screwdriver
REMT = Remote Controller for Sensor Options

COLOR/WHITE TUNABLE OPTIONS

- TUC** = Tunable Color — RGBWW
TUW = Tunable White — 2700K-5000K
TLM = Tunable Linear Module 
• Color Tunable White (1650-8000K)
Optional Additional Controls with TLM
DMX = DMX512-A-RDM Accessory Board
DALI = DALI Accessory Board
DLM = Digital Light Management
— Accessory Board by:
Legrand / Wattstopper
LTRN = Lutron EcoSystem Accessory Board

CLICK

Click for Additional Information on TLM

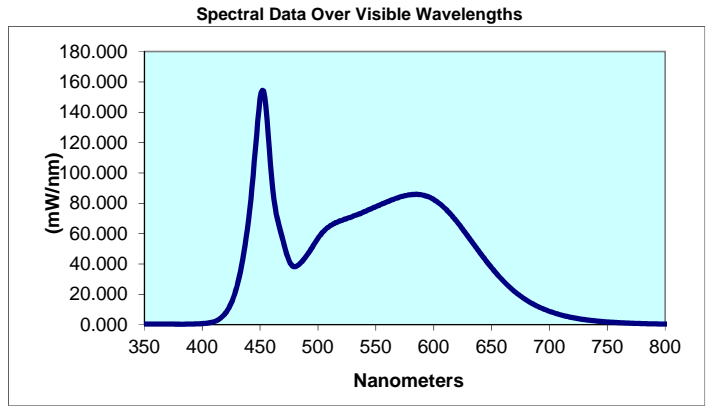
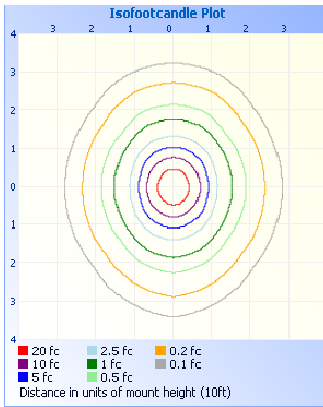
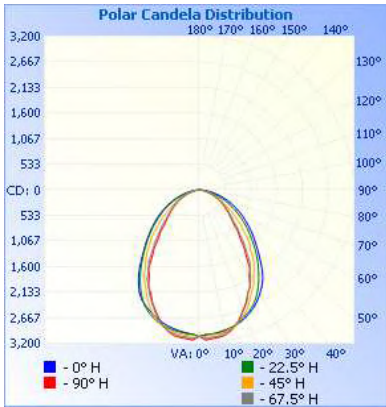
PHOTOMETRIC DATA

Test # 103096176CHI-003

CATALOGUE #: RFS6-SMS6-4-LED72-5K-UNV-82-D7

Test Date: 9/27/2017 — Tested in accordance with LM-79-80. The results contained in this summary report pertain only to the tested sample.

Summary of Results								
Lamp Output	Lumen Efficacy	Input Voltage	Input Current	Input Wattage	Power Factor	Delta UV (Duv)	Color Temp	CRI
6388 Lumens	93.36 LPW	120.0V	580.2 mA	68.42W	0.982	0.0005	5356K	85.0



PHOTOMETRIC DATA

Test # 102063649LAX-002A

CATALOGUE #: SMS6-LED40-5K-UNV-D7-GC (With Glare Control Shield)

Test Date: 3/30/2017

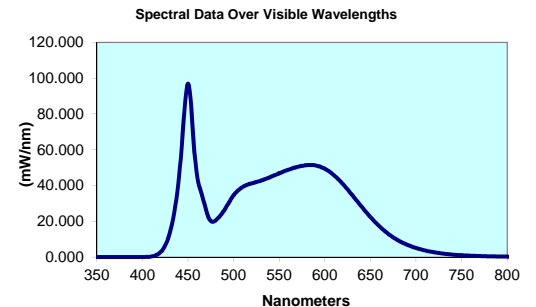
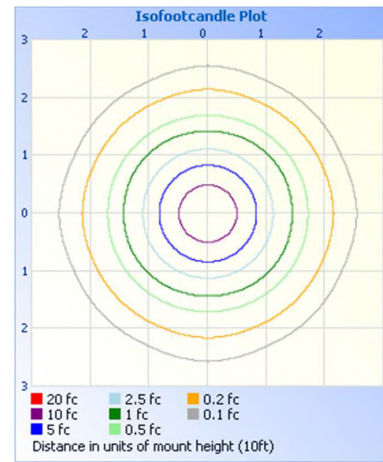
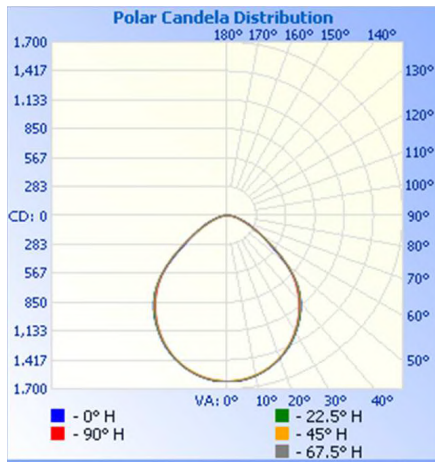
Tested in accordance with LM-79-80. The results contained in this summary report pertain only to the tested sample.

Electrical Test Conditions						
Temp	Voltage	Current	Power	Power Factor	Current THD	BUG Rating
25°C (±1°C)	120.0	389.4mA	46.18W	0.979	11.66%	B2-U0-G1

Summary of Results	
IES Classification	Type VS
Total Lumen Output	3820 Lumens
Efficacy (Lm/W)	82.72 Lm/W
CRI	83.7
CCT	5215K
Duv	0.001

Zonal Lumen Summary		
Zone	Lumens	% Luminaire
0-30	1239	33.9
0-40	1998	54.7
0-60	3223	88.2
60-90	431.9	11.8
0-90	3655	100.0
90-180	0.0	0.0
0-180	3655	100.0

Chromaticity Coordinates	
Chromaticity (x)	0.339
Chromaticity (y)	0.347
Chromaticity (u')	0.209
Chromaticity (v')	0.481



PHOTOMETRIC DATA

Test # 102063649LAX-003A

CATALOGUE #: SMS6-LED40-5K-EBU-D7 (NON-Glare Control)

Test Date: 3/30/2017

Tested in accordance with LM-79-80.
The results contained in this summary report pertain only to the tested sample.

Electrical Test Conditions						
Temp	Voltage	Current	Power	Power Factor	Current THD	BUG Rating
25°C (±1°C)	120.0	389.6mA	45.78W	0.979	11.68%	B2-U0-G1

Summary of Results	
IES Classification	Type VS
Total Lumen Output	4641 Lumens
Efficacy (Lm/W)	101.4 Lm/W
CRI	83.8
CCT	5320K
Duv	0.001

Zonal Lumen Summary		
Zone	Lumens	% Luminaire
0-30	1676	37.9
0-40	2638	59.6
0-60	3986	90.1
60-90	438.9	9.9
0-90	4425	100.0
90-180	0.0	0.0
0-180	4425	100.0

Chromaticity Coordinates	
Chromaticity (x)	0.337
Chromaticity (y)	0.344
Chromaticity (u')	0.209
Chromaticity (v')	0.480

