

We reserve the right to revise the design or components of any product without notice.

LHBD

Linear High Bay Dual LED Suspended Mounting INDOOR LED Linear Luminaire

CATALOG #		TYPE
PROJECT/LOCATION		
APPROVED BY		

SPECIFICATIONS

- DRIVER — Universal Voltage 120/277V, IP67 Electronic driver is standard.
- HEATSINK — 6063 Aluminum Alloy featuring 201W/m.K thermal conductivity index.
- FINISH — Pre-painted white polyester polymer finish with minimum 82% reflectivity.
- MOUNTING — Suspension Mounting.
- LIGHT ENGINE — Energy efficient Light Emitting Diode. 50,000hr Lifespan.
- BEAM ANGLE — 120° Beam Angle is Standard. 40°, 60°, 90° Optional Angles.
- LED COLOR TEMPERATURE — 4000K / 5000K / 5700K. 80CRI.
- OPERATING TEMPERATURE — -40°C - 50°C.
- COMPLIANCE — Built to comply with U.S. and Canadian safety standards. IP40 Rated.
- WARRANTY — 5-Year Standard Warranty.

LHBD LED BAR CONFIGURATION

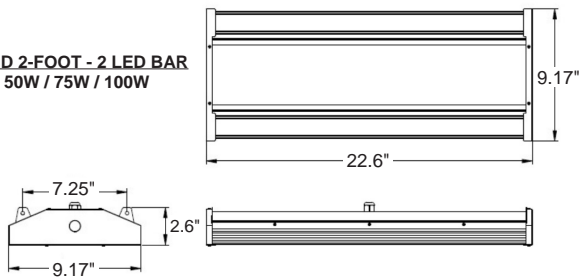


LHBD TWO LED BAR CONFIGURATION	
LHBD SIZE	LED WATTAGE
LHBD 2-FOOT	50W / 75W / 100W
LHBD 4-FOOT	100W / 150W / 200W

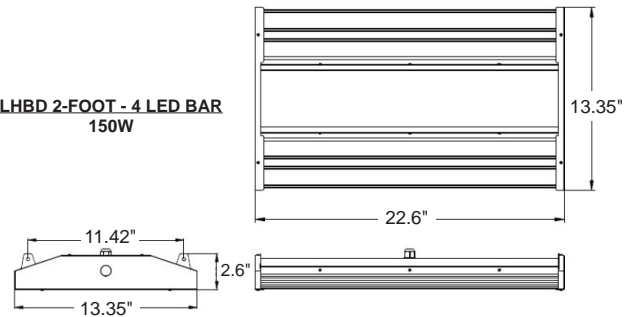
LHBD FOUR LED BAR CONFIGURATION	
LHBD SIZE	LED WATTAGE
LHBD 2-FOOT	150W
LHBD 4-FOOT	240W / 300W

LHBD 2-FOOT DIMENSIONS

LHBD 2-FOOT - 2 LED BAR
50W / 75W / 100W

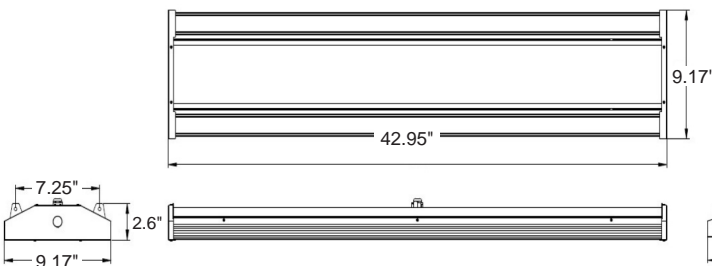


LHBD 2-FOOT - 4 LED BAR
150W

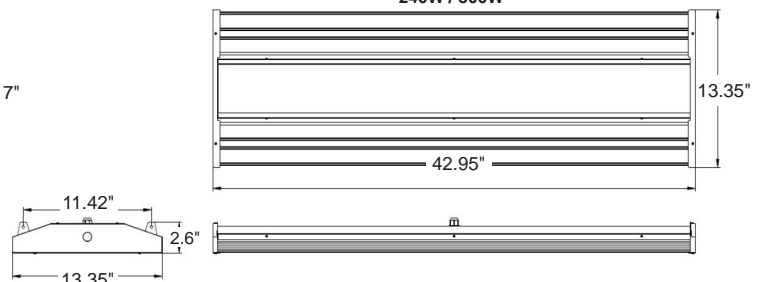


LHBD 4-FOOT DIMENSIONS

LHBD 4-FOOT - 2 LED BAR
100W / 150W / 200W



LHBD 4-FOOT - 4 LED BAR
240W / 300W



LHBD

*Linear High Bay Dual LED
Suspended Mounting
INDOOR LED Linear Luminaire*



LHBD SIZE / LED WATTAGE			
Fixture Size	Dimensions	LED Wattage	Lumens
LHBD 2-Foot (2-LED Bar Config)	22.6"L x 9.17"W x 2.6"D	50W	6500 Lms
LHBD 2-Foot (2-LED Bar Config)	22.6"L x 9.17"W x 2.6"D	75W	9750 Lms
LHBD 2-Foot (2-LED Bar Config)	22.6"L x 9.17"W x 2.6"D	100W	13000 Lms
LHBD 2-Foot (4-LED Bar Config)	22.6"L x 13.35"W x 2.6"D	150W	19500 Lms
LHBD 4-Foot (2-LED Bar Config)	42.95"L x 9.17"W x 2.6"D	100W	13000 Lms
LHBD 4-Foot (2-LED Bar Config)	42.95"L x 9.17"W x 2.6"D	150W	19500 Lms
LHBD 4-Foot (2-LED Bar Config)	42.95"L x 9.17"W x 2.6"D	200W	26000 Lms
LHBD 4-Foot (4-LED Bar Config)	42.95"L x 13.35"W x 2.6"D	240W	31200 Lms
LHBD 4-Foot (4-LED Bar Config)	42.95"L x 13.35"W x 2.6"D	300W	39000 Lms

ORDERING GUIDE: **Series** **Length** **LED Wattage / Beam Angle** **Color Temp** **Voltage** **Finish** **Options**

SERIES

LHBD = Linear High Bay Dual LED Luminaire

LENGTH

2' = 2-Foot Length
4' = 4-Foot Length

LED WATTAGE

Refer to Above Chart

BEAM ANGLE

120D = 120° (STANDARD)
40D = 40°
60D = 60°
90D = 90°

LED COLOR TEMPERATURE

4K = ±4000K range - 80CRI
5K = ±5000K range - 80CRI
57K = ±5700K range - 80CRI

VOLTAGE

EBU = Universal Volt (120-277v) Electronic Driver

FINISH

WH = White Finish (STANDARD)

SENSOR OPTIONS

D7 = 0-10V low-voltage dimming
MS = Motion Sensor (Occupancy / Daylight Control)