

LHB-G

LINEAR HIGH BAY LED LUMINAIRE
Foldable Design / Adjustable Beam Angle
Selectable LED Wattages / CCT
IP40 Rated / Damp Location

We reserve the right to revise the design or components of any product without notice.

CATALOG #		TYPE
PROJECT/LOCATION		
APPROVED BY		

SPECIFICATIONS

- APPLICATIONS — Commercial, Retail, Gymnasiums, Factories, Supermarkets, Warehouses.
 - ADJUSTABLE BEAM ANGLE — -30°, 0°, 30°, 45°.
 - DRIVER — Universal Volt 120/277V electronic driver with 0-10V dimming.
 - HOUSING — Aluminum housing.
 - LENS — Polycarbonate.
 - LIGHT ENGINE — Energy efficient LED. Selectable Wattages / CCT via Built-In Dip Switches.
 - PROJECTED LIFESPAN — 100,000hrs
 - MOUNTING — Standard hanging bail for chain/cable mount.
 - OPERATIONAL TEMPERATURE — -40°C (-40°F) to 50°C (122°F).
 - COMPLIANCE — Built to comply with U.S. and Canadian Safety Standards.
- UL Certified, DLC Premium and RoHS Compliant. Suitable for damp locations. IP40 Rated.
- WARRANTY — 5-year Limited Warranty.



Folding Light Panel Design
 Adjustable Beam Angle

ORDERING INFO

ORDERING GUIDE:	Series	Size	Wattage	CCT	Voltage	Finish	Options

SERIES

LHB-G = LHB-G Series

SIZE (Nominal)

S = Small: 14.96"L x 11.28"W x 2.36"D
 L = Large: 22.04"L x 11.28"W x 2.36"D

WATTAGE

SLED = *Selectable LED Wattages
 — Small: 135W | 110W | 85W
 — Large: 225W | 185W | 150W

COLOR TEMPERATURE (CCT)

SCCT = *Selectable CCT: 3000K | 4000K | 5000K

**Note: Fixtures will ship from factory at lowest wattage and warmest CCT. It is the installer's responsibility to set the fixture at the desired wattage and CCT for their project.*

VOLTAGE

UNV = Universal Volt (120-277v) Driver

STANDARD FINISH

WH = White

MOUNTING OPTIONS

CM = Ceiling Mount Bracket
 HG = Hanging J-Box Bracket

MISC OPTIONS

WG = Wire Guard

SENSOR OPTIONS

Note: See Accessory Options for Remote Controller

MS = Microwave Sensor (Plug-and-Play)
 PIR = PIR Sensor (Plug-and-Play)

EMERGENCY BATTERY OPTIONS

Note: See Accessory Options for Remote Controller

EL = Emergency Battery

ACCESSORY OPTIONS (order as a separate line)

REMTE = Remote Controller for Emergency Battery Option
 REMTS = Remote Controller for Sensor Options

Model Size	Wattage	Lumens / LPW (Based on 3000K CCT)	Lumens / LPW (Based on 4000K CCT)	Lumens / LPW (Based on 5000K CCT)
Small	135W	17,550 Lumens 130lm/w	19,575 Lumens 145lm/w	18,900 Lumens 140lm/w
	110W	14,850 Lumens 135lm/w	16,500 Lumens 150lm/w	15,950 Lumens 145lm/w
	85W	11,900 Lumens 140lm/w	12,750 Lumens 150lm/w	12,750 Lumens 150lm/w
Large	225W	30,375 Lumens 135lm/w	33,750 Lumens 150lm/w	31,500 Lumens 140lm/w
	185W	25,900 Lumens 140lm/w	28,675 Lumens 155lm/w	27,750 Lumens 150lm/w
	150W	21,750 Lumens 145lm/w	23,250 Lumens 155lm/w	22,500 Lumens 150lm/w

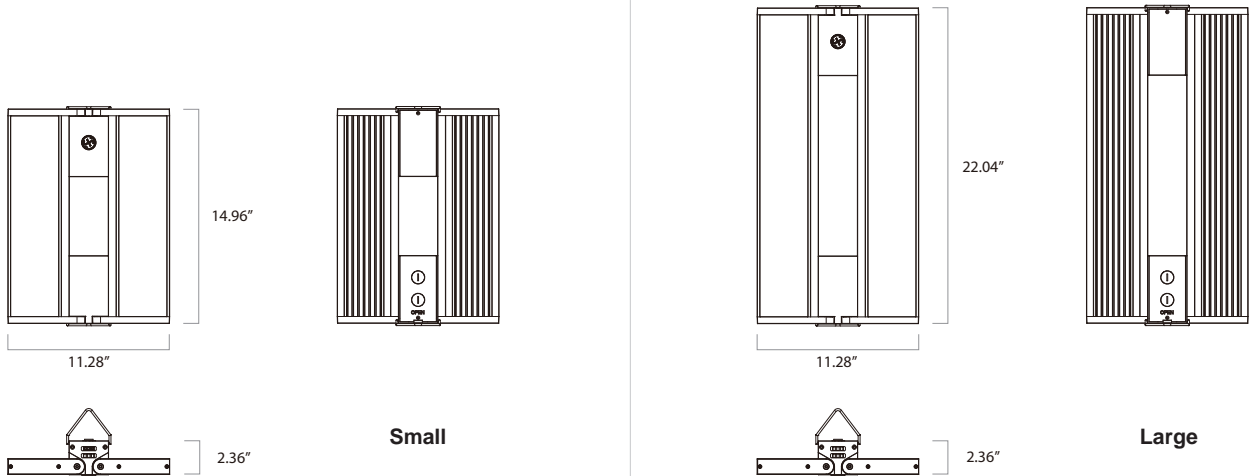
LHB-G

LINEAR HIGH BAY LED LUMINAIRE
Foldable Design / Adjustable Beam Angle
Selectable LED Wattages / CCT
IP40 Rated / Damp Location

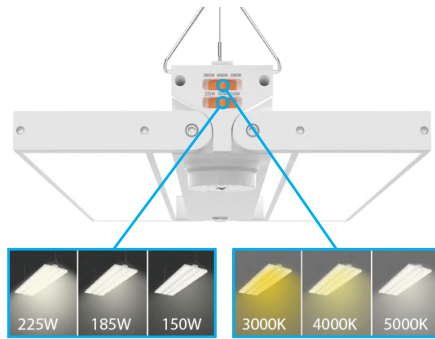
We reserve the right to revise the design or components of any product without notice.

CATALOG #		TYPE
PROJECT/LOCATION		
APPROVED BY		

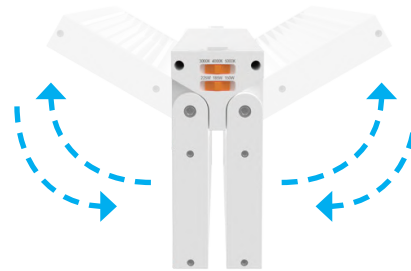
DIMENSIONS



FEATURES

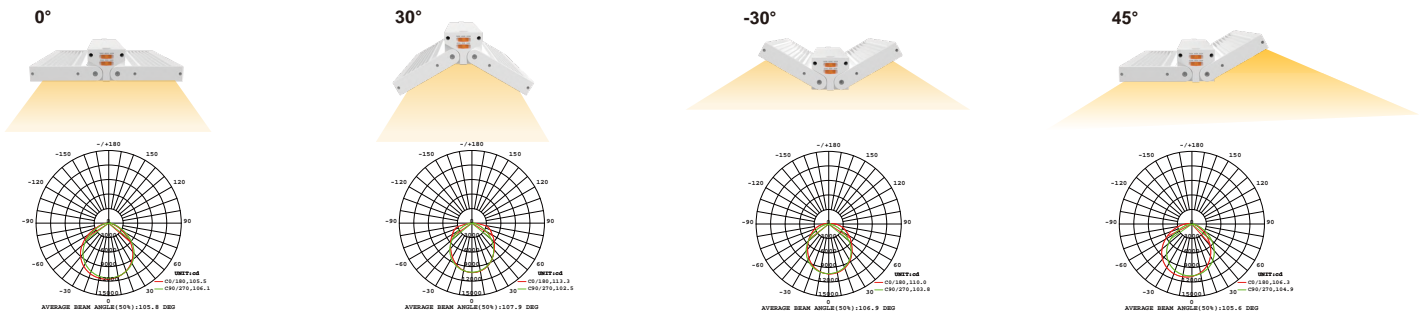


Selectable LED Wattage / CCT



Folding Light Panel Design

Adjustable Beam Angles



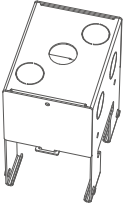
LHB-G

LINEAR HIGH BAY LED LUMINAIRE
Foldable Design / Adjustable Beam Angle
Selectable LED Wattages / CCT
IP40 Rated / Damp Location

We reserve the right to revise the design or components of any product without notice.

CATALOG #		TYPE
PROJECT/LOCATION		
APPROVED BY		

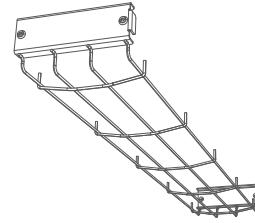
OPTIONS



**Ceiling Mount Bracket
(CM)**



**Hanging J-Box Bracket
(HG)**



**Wire Guard
(WG)**



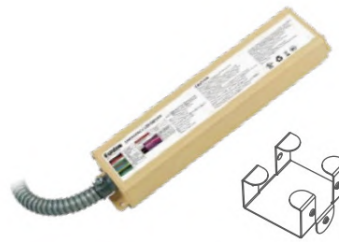
**Microwave Sensor
(MS)**



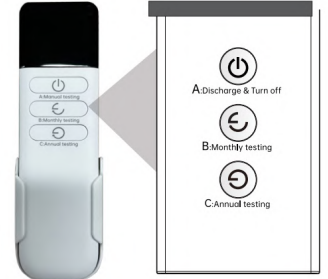
**PIR Sensor
(PIR)**



**Remote Controller
for Sensor
(REMTS)**



**Emergency Battery
(EL)**



**Remote Controller for
Emergency Battery
(REMTE)**

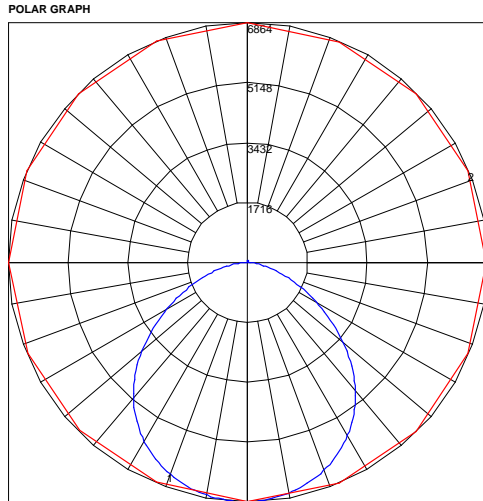
LHB-G

LINEAR HIGH BAY LED LUMINAIRE
Foldable Design / Adjustable Beam Angle
Selectable LED Wattages / CCT
IP40 Rated / Damp Location

We reserve the right to revise the design or components of any product without notice.

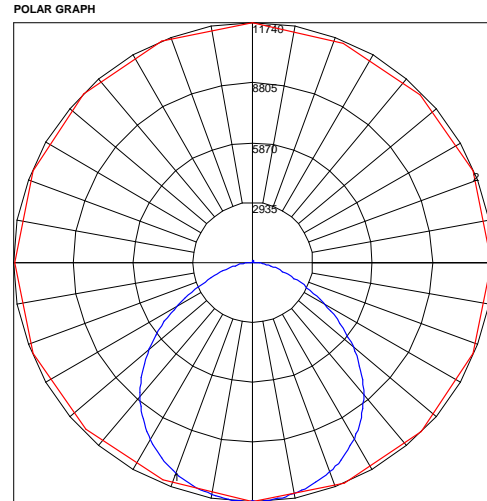
CATALOG #		TYPE
PROJECT/LOCATION		
APPROVED BY		

PHOTOMETRIC DIAGRAMS



Maximum Candela = 6864.45 Located At Horizontal Angle = 270, Vertical Angle = 1
 # 1 - Vertical Plane Through Horizontal Angles (270 - 90) (Through Max. Cd.)
 # 2 - Horizontal Cone Through Vertical Angle (1) (Through Max. Cd.)

Model No. LHB-G-S-SLED-135W-SCCT-50K-UNV



Maximum Candela = 11740.05 Located At Horizontal Angle = 270, Vertical Angle = 1
 # 1 - Vertical Plane Through Horizontal Angles (270 - 90) (Through Max. Cd.)
 # 2 - Horizontal Cone Through Vertical Angle (1) (Through Max. Cd.)

Model No. LHB-G-L-SLED-225W-SCCT-50K-UNV

PHOTOMETRIC DATA

MODEL NUMBER	LUMENS	LPW	WATTAGE	BUG RATING
LHB-G-S-SLED-135W-SCCT-30K-UNV	17,445.76 Lumens	127.4 LPW	136.9W	B4-U3-G2
LHB-G-S-SLED-135W-SCCT-40K-UNV	18,382.25 Lumens	138.9 LPW	132.3W	B4-U3-G2
LHB-G-S-SLED-135W-SCCT-50K-UNV	18,011.43 Lumens	131.8 LPW	136.7W	B4-U3-G2
LHB-G-L-SLED-225W-SCCT-30K-UNV	30,029.51 Lumens	132.2 LPW	227.1W	B4-U3-G3
LHB-G-L-SLED-225W-SCCT-40K-UNV	31,857.83 Lumens	148.9 LPW	213.9W	B4-U3-G2
LHB-G-L-SLED-225W-SCCT-50K-UNV	30,703.3 Lumens	139.2 LPW	220.5W	B4-U3-G2