

GHB-SQ

Garage High Bay Square Luminaire LED

We reserve the right to revise the design or components of any product without notice.

CATALOG #		TYPE
PROJECT/LOCATION		
APPROVED BY		

SPECIFICATIONS

- APPLICATIONS — Exhibition Halls, Parking Garages, Industrial Facilities, Warehouses.
- DRIVER — Universal Voltage (120~277V) IP65 Rated Electronic Driver. Lever can adjust constant current output through cable with 0-10V Dimming.
- HOUSING — Aluminum alloy housing with built-in heat sink.
- LENS — Clear Tempered Glass.
- FINISH — Black is Standard. Optional Bronze, White, or Custom Color.
- EFFICACY — 130-145 Lumens per Watt (13000-14500 Lumens)
- LIFE SPAN — 50,000 Hrs Duty Cycle
- BEAM ANGLE — 110°.
- COLOR RENDERING INDEX — >80 CRI.
- POWER FACTOR — ≥ 0.90.
- THD — ≤ 20%
- MOUNTING — Hook (HOOK), Surface (SM), Trunnion (TM), or Pendant Mount (PEND).
- OPERATING / STORAGE TEMP — -40°C to 45°C / -30°C to 80°C.
- COMPLIANCE — Built to comply with U.S. and Canadian Safety Standards. Suitable for Wet Locations. IP65 Tested and Approved. DLC Compliant. UL Listed (E495046).
- WARRANTY — 5 Year Limited Warranty.



ORDERING INFO

Series	Mounting	LED Wattage	CCT	Voltage	Finish	Options
ORDERING GUIDE:						

SERIES

GHB-SQ = Garage High Bay Square Luminaire

MOUNTING

- HOOK** = Hook Mount
 - Includes Eyelid Ring for Chain Suspension
 - SM** = Surface Mount
 - Includes Rapid Mount Box (RMB) & 3" Stem
 - TM** = Trunnion Mount
 - PEND** = Pendant Mount
 - 3" Stem is Standard
 - For Other Stem Lengths (Consult Factory)
- Choose Pendant Canopy Style:**
- SWC-R = Swivel Canopy for 4" Round J-Box
 - SWC-RR = Swivel Canopy for 4" Round J-Box
 - Rapid Mount with Hinged Door
 - SWC-S = Swivel Canopy for 4" Square J-BOX
 - SWC-SR = Swivel Canopy for 4" Square J-Box
 - Rapid Mount with Hinged Door
- Note: See Page 3 for Images/Examples*

LED WATTAGE

- LED100** = 100 Watt LED (13,000 - 14,000 Lumens)
 - LED150** = 150 Watt LED (19,500 - 21,000 Lumens)
 - LED200** = 200 Watt LED (26,000 - 28,000 Lumens)
 - LED240** = 240 Watt LED (31,200 - 33,600 Lumens)
- *Photometric Data Available on Page 4*

LED COLOR TEMPERATURE (CCT)

- Note: 130-145 Lumens Per Watt / 13000-14500 Lumens**
- 4K** = ±4000K range
 - 45K** = ±4500K range
 - 5K** = ±5000K range
 - 57K** = ±5700K range

VOLTAGE

- 347** = 347 Volt
- 480** = 480 Volt
- UNV** = Universal Volt (120-277v) Electronic Driver

FINISH

- Note:** Standard Black Finish is MoQ = 50
Note: Other Finishes MoQ = 200
- BK** = Black — STANDARD
 - BZ** = Bronze
 - WH** = White
 - CC** = Custom Color (Consult Factory for MoQ)

DIMMING OPTIONS

- Note: 0-10V 100%-30% is Standard**
- DB** = LED Dimming: Forward Phase/Leading Edge (Triac)

CONTROL OPTIONS

- Note: See Accessory Options for Required Remote Controller**
- OCC** = Occupancy Sensing | Motion Sensor Integral
 - Microwave / Single Feed / 120/277V Only
 - Standby Dim Level Presets: ON/OFF (0%/100%)
 - BLD** = Bi-Level Dimming | Motion Sensor Integral
 - Microwave / Single Feed / 120/277V Only
 - Standby Dim Level Presets:
 - 10% / 20% / 30% (Standard) / 50%
 - BLDA** = Bi-Level Dimming | Motion Sensor Integral
 - Ambient Light Sensing Feature (AMB)
 - Microwave / Single Feed / 120/277V Only
 - Standby Dim Level Presets:
 - 10% / 20% / 30% (Standard) / 50%
 - Bi-Level Control Initiated at AMB Light Level Preset

MISC OPTIONS

- RMB** = Rapid Mount Box
 - Included for Surface Mount (SM)
 - Required for Integral Motion Sensor Options
- SG** = 10KA Surge Protection (ANSI spec C62.41.2)

EMERGENCY BATTERY OPTIONS

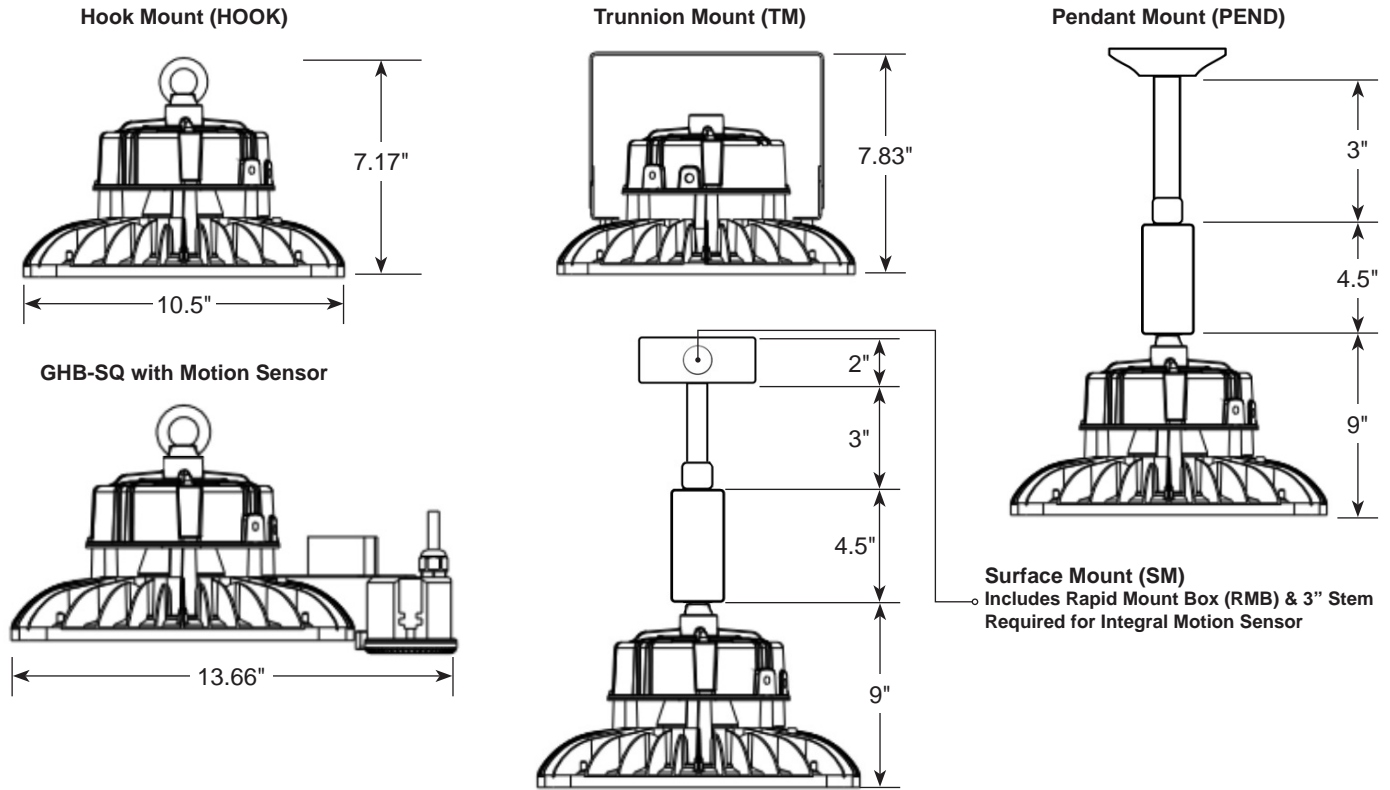
No onsite Emergency Power (AC or DC) is provided
 Meets California Energy Commission Title 20:
 (CEC-400-2014-009-CMF) Efficiency Standards

- EL20W-LV** = LED 20 Watt - Low Voltage (20-50V)
 - 2000 Lumens / Requires Remote Back Box
 - (.4A - 1.0A)
- EL20W-MV** = LED 20 Watt - Medium Voltage (50-130V)
 - 2000 Lumens / Requires Remote Back Box
 - (.4A - 1.0A)(.15A - .40A)
- EL20W-HV** = LED 20 Watt - High Voltage (125-200V)
 - 2600 Lumens / Requires Remote Back Box
 - (.10A - .16A)

ACCESSORY OPTIONS (order as a separate line)

- 9002** = Tamperproof Screwdriver
- REMT0014** = Wireless Remote Control for Sensor Options

DIMENSIONS



MOUNTING / OPTIONS



HOOK Mount (HOOK)



TRUNNION Mount (TM)



External Motion Sensor



**PENDANT Mount (PEND-SWC)
Swivel Canopy**



**GHB-SQ Surface Mount (GHB-SQ-SM)
Includes Rapid Mount Box (RMB) & 3" Stem
Required for Integral Motion Sensor**



**Wireless Remote Control (REMT0008)
Required for Motion Sensor Options**

PENDANT SWIVEL CANOPY TYPES



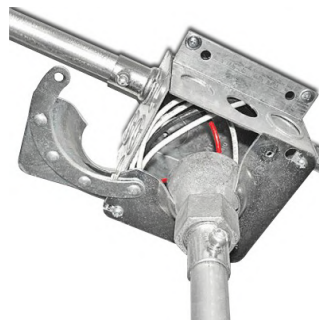
**Swivel Canopy 4" for
Round/Octagonal J-BOX (SWC-R)**



**Swivel Canopy 4" for
Square J-BOX (SWC-S)**



**Swivel Canopy 4" for
Round/Octagonal J-BOX
Rapid Mount with Hinged Door
(SWC-RR)**

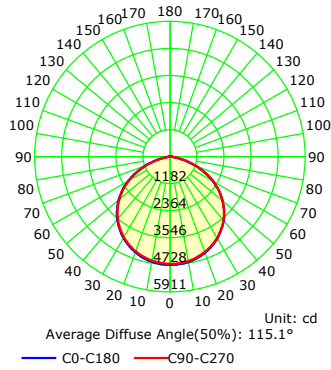


**Swivel Canopy 4" for
Square J-BOX
Rapid Mount with Hinged Door
(SWC-SR)**

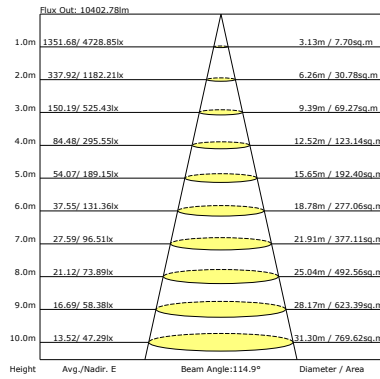
Test Date: 8/21/2018 — Tested in accordance with LM-79-80. The results contained in this summary report pertain only to the tested sample.

Summary of Results								
Lamp Output	Lumen Efficacy	Input Voltage	Input Current	Input Wattage	Power Factor	Color Temp	Test Distance	Max Intensity
13509.4 Lumens	132.98 LPW	120.3V	0.847A	101.59W	0.997	5700K	10.160m	4728.86 cd

Luminous Intensity Distribution Curve



The Average Illuminance Effective Figure



Curves of Luminaires vs Lighting Area

