

# Denali

## LED Multi-Purpose Surface Mount Pendant Luminaire

We reserve the right to revise the design or components of any product without notice.

CATALOG #		TYPE
PROJECT/LOCATION		
APPROVED BY		

### SPECIFICATIONS

- DRIVER — Universal Voltage (120~277V) Electronic Driver with 0-10V dimming.
- DIFFUSER — Clear acrylic prismatic dome lens (Standard). Prismatic lens provides exceptional LED hiding and excellent light distribution. Optional frost acrylic or polycarbonate prismatic dome lenses available.
- FINISH — Cast aluminum housing, stem and surface mount box finished in chip & fade resistant polyester powder coating. Sky white finish standard. Custom colors optional.
- GASKETING — High temp, non-aging black EPDM gasketed seal. Seals diffuser to cast housing to protect against exterior contaminants.
- HOUSING — One piece (Made in America) precision die cast aluminum housing. Effectively dissipates heat up to 100W for 40°C ambient environments.
- MOUNTING STYLES — **STYLE A:** External Driver with 3" Static Stem to J-BOX. **STYLE B:** Surface Mount Box with 4-Point Mounting with 3" Static Stem. **STYLE C:** Rapid Mount Box XL with 3" Static Stem. *NOTE: Style B/Style C mounting boxes are used for housing drivers and optional components.*
- WEIGHT — Denali 16lbs.
- STEM — 1/2" trade size, galvanized, 3" long stem standard. Optional lengths available, consult factory.
- COMPLIANCE — Built to comply with U.S. and Canadian Safety Standards. Suitable for Wet Locations. IP66 Tested and Approved. NSF International Certified for NSF/ANSI Standard 2 - Food Equipment. **Made in USA / Buy America Compliant / Buy American Act.**



Series	Mounting Style	Diffuser	LED Wattage	CCT	Voltage	Finish	Options

### SERIES

DN = Denali Series

### MOUNTING STYLE

**STYLE A** = External Driver with 3" Static Stem to J-BOX  
**STYLE B** = Surface Mount Box with 4-Point Mounting with 3" Static Stem  
**STYLE C** = Rapid Mount Box XL with 3" Static Stem

### REFLECTOR / DIFFUSER

**UPL** = 12% Uplight (Specular Reflector System)  
 — If UPL is selected, Skip Diffuser Options

**PC** = Prismatic Clear Polycarbonate Diffuser  
 —Type V Distribution  
**PFAD** = Prismatic Frosted Acrylic Diffuser

### LED WATTAGE

**LED35** = 35 Watt LED  
 (replaces up to MH50)  
**LED55** = 55 Watt LED  
 (replaces up to MH100)  
**LED75** = 75 Watt LED  
 (replaces up to MH150)  
**LED100** = 100 Watt LED  
 (replaces up to MH175)

### LED COLOR TEMPERATURE (CCT)

**3K** = ±3000K range  
**4K** = ±4000K range  
**5K** = ±5000K range

### VOLTAGE

**347** = 347 Volts  
**480** = 480 Volts  
**UNV** = Universal Volt (120-277v) Electronic

### FINISH

**BK** = Black  
**BZ** = Bronze  
**PNA** = Painted Natural Aluminum  
**WH** = White—Standard  
**NAT** = Epoxy Coating for Natatorium  
 — Includes Conformal Coating of LEDs  
**CC** = Custom Color (Visit [www.ralcolor.com](http://www.ralcolor.com))

### MOUNTING OPTIONS

**PEND** = Pendant Mount  
 -1/2" IPS Conduit Stem (12" is Standard)  
 -For Other Stem Lengths (Consult Factory)  
**Choose Pendant Canopy Style:**  
**SWC-R** = Swivel Canopy for 4" Round J-BOX  
**SWC-RR** = Swivel Canopy for 4" Round J-BOX  
 — Rapid Mount with Hinged Door  
**SWC-S** = Swivel Canopy for 4" Square J-BOX  
**SWC-SR** = Swivel Canopy for 4" Square J-BOX  
 — Rapid Mount with Hinged Door  
*Note: See Page 3 for Images/Examples*

### MISC OPTIONS

**BS** = Bird Shield  
 — Uplight (UPL) Not Available with Bird Shield  
**FUS** = Single Fusing  
**DFUS** = Double Fusing  
**HSS** = House Side Shield - External (120° is Standard)  
**IHS** = Inside House Side Shield (120° is Standard)  
**SG** = 10KA Surge Protection (ANSI spec C62.41.2)  
**TP** = Tamperproof Screws  
**W10** = 10 Year Pro-Rated Limited Warranty

### DIMMING OPTIONS

**Note: 0-10V 100%-30% is Standard**  
**D11** = DALI Dimming (Style B / C Only)  
**D12** = Lutron Dimming (Style B / C Only)  
**D13** = LED Step Dimming (Style B / C Only)

### TELLELIGHT WIRELESS CONTROL SYSTEM

**Certified Bluetooth Mesh Components & Topology**  
**Standard Fixture Options:** (Question? Consult Factory Rep)  
**TSC3** = Internal Fixture Controller w/External Antennae Cover  
 — TSC3 Requires Sensor  
**TSS12\*** = External PIR Low Bay Sensor. 120-277VAC Powered  
 — TSS12 is Junction Box Mounted  
*\*Additional Sensor Options: TelleLight Brochure*

### CONTROL OPTIONS

**Note: See Accessory Options for Required Remote Controller**  
**9328** = Photocell Button (120/277V)  
**OCC** = Occupancy Sensing | Motion Sensor Integral<sup>20</sup>  
 — Microwave / Single Feed / 120/277V Only  
 — Standby Dim Level Presets: ON/OFF (0%/100%)  
**BLD** = Bi-Level Dimming | Motion Sensor Integral<sup>20</sup>  
 — Microwave / Single Feed / 120/277V Only  
 — Standby Dim Level Presets:  
 10% / 20% / 30% (Standard) / 50%  
**BLD/AMB** = Bi-Level Dimming | Motion Sensor Integral<sup>20</sup>  
 — Ambient Light Sensing Feature (AMB)  
 — Microwave / Single Feed / 120/277V Only  
 — Standby Dim Level Presets:  
 10% / 20% / 30% (Standard) / 50%  
 — Bi-Level Control Initiated at AMB Light Level Preset  
**BLS** = Bi-Level Switching — Using 2 Drivers (2UNV)  
**TL** = TelleLight Wireless System with PacWave Components  
 — See Page 6 for More Information (Consult Factory)

### EMERGENCY BATTERY OPTIONS<sup>20 21 22</sup>

**NOTE: Emergency Battery Options listed also available as Remote (REL). Style A compatible with REL Only.**

#### Meets California Energy Commission Title 20:

(CEC-400-2014-009-CMF) Efficiency Standards  
**EL4W** = Integral LED 4 Watt — 500 Lumens  
**EL8W** = Integral LED 8 Watt — 1000 Lumens  
**EL10W** = Integral LED 10 Watt — 1250 Lumens  
**EL16W** = Integral LED 16 Watt — 2000 Lumens

#### Cold Weather Emergency Batteries:

*NON-CEC Compliant*  
**EL10W-CW** = Integral LED 10 Watt (Cold Weather)  
 — 1250 Lumens

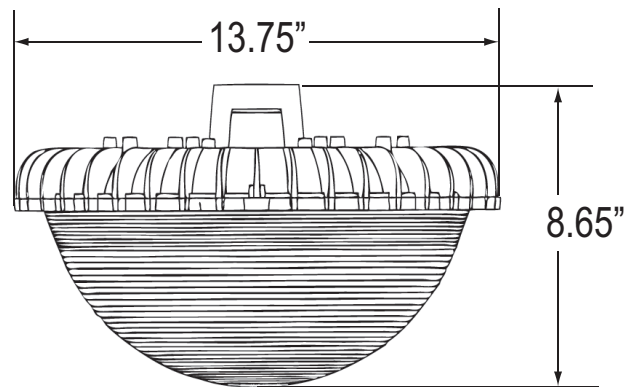
### ACCESSORY OPTIONS (order as a separate line)

**9002** = Tamperproof Screwdriver  
**REMT** = Remote Controller for Sensor Options

- <sup>20</sup> Max mounting height of fixture is 18' (18 feet)
- <sup>21</sup> Max WHIP length of the REL is 8 feet.
- <sup>22</sup> Battery Available as Integral or Remote - Specify REL for Remote option (ie. EL4W = Integral; REL4W = Remote)
- <sup>23</sup> Final selection of the Battery Pack under discretion of Factory



## DIMENSIONS



## MOUNTING STYLES



**STYLE A**  
External Driver with 3" Static Stem to J-BOX



**STYLE B**  
Surface Mount Box with 4-Point Mounting  
3" Static Stem



**STYLE C**  
Rapid Mount Box XL with 3" Static Stem

## DIFFUSERS



Prismatic Clear Polycarbonate Diffuser (PC) - Type V



Prismatic Frosted Acrylic Diffuser (PFAD)

## OPTIONS



House Side Shield (HSS) Option



Bird Shield (BS) Option



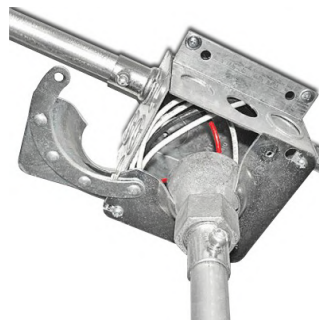
**Swivel Canopy 4" for  
Round/Octagonal J-BOX (SWC-R)**



**Swivel Canopy 4" for  
Square J-BOX (SWC-S)**



**Swivel Canopy 4" for  
Round/Octagonal J-BOX  
Rapid Mount with Hinged Door  
(SWC-RR)**



**Swivel Canopy 4" for  
Square J-BOX  
Rapid Mount with Hinged Door  
(SWC-SR)**

PHOTOMETRIC DATA

Test # 102063649CHI-027M Denali

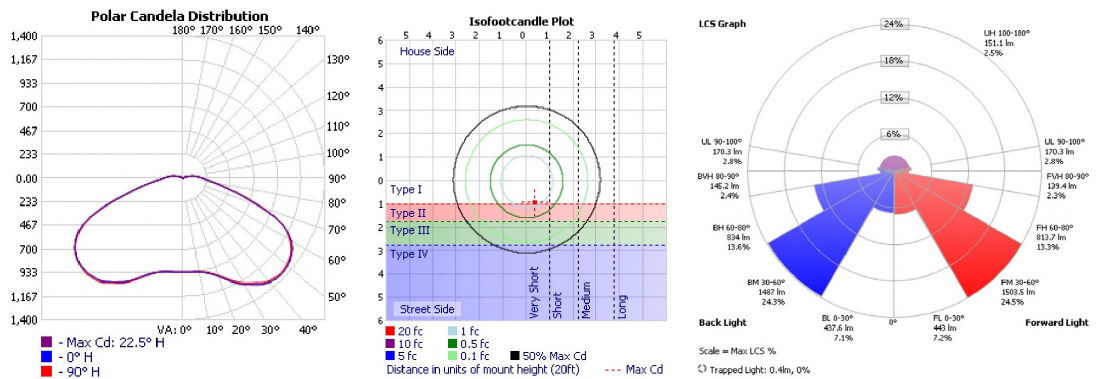
DN-LED57-4K-EBU-WH-PC-PEND3-STC-SPMB

Test Date: 6/1/2017 — Tested in accordance with LM-79-80. The results contained in this summary report pertain only to the tested sample.

Summary of Results	
Total Lumen Output	6125.3 Lumens
Efficacy (Lm/W)	108.22 Lm/W

Electrical Test Conditions					
Temp	Voltage	Current	Power	Power Factor	Bug Rating
25°C (±1°C)	120.0	471.7mA	56.6W	0.994	B2-U3-G2

Zonal Lumen Summary		
Zone	Lumens	% Luminaire
0-30	880.8	14.4
0-40	1675.7	27.4
0-60	3871.3	63.2
60-90	1932.5	31.5
70-100	1049.3	17.1
90-120	300.3	4.9
0-90	5803.8	94.8
90-180	321.5	5.2
0-180	6125.3	100.0



PHOTOMETRIC DATA

Test # 102063649CHI-028M Denali

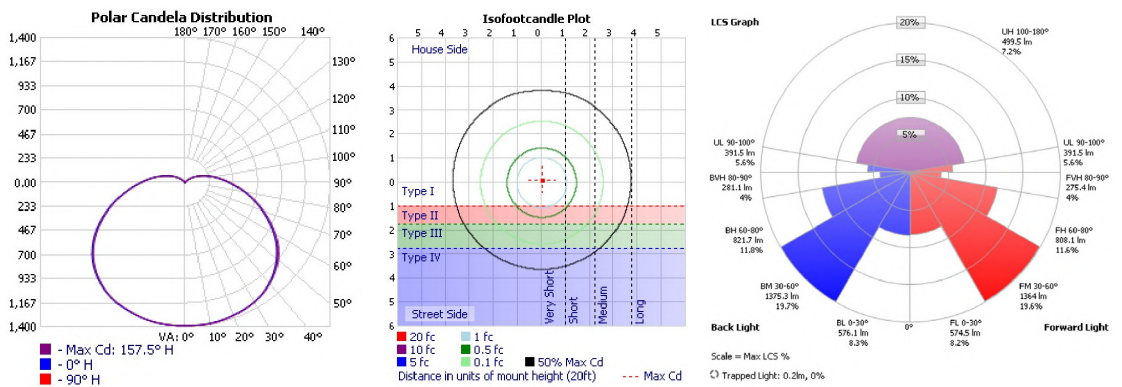
DN-LED57-4K-EBU-WH-PFAD-PEND3-STC-SPMB

Test Date: 6/1/2017 — Tested in accordance with LM-79-80. The results contained in this summary report pertain only to the tested sample.

Summary of Results	
Total Lumen Output	7099.3 Lumens
Efficacy (Lm/W)	125.43 Lm/W

Electrical Test Conditions					
Temp	Voltage	Current	Power	Power Factor	Bug Rating
25°C (±1°C)	120.1	471.7mA	56.6W	0.994	B2-U3-G3

Zonal Lumen Summary		
Zone	Lumens	% Luminaire
0-30	1172.3	16.5
0-40	2008.4	28.3
0-60	3963.5	55.8
60-90	2227.8	31.4
70-100	1716.8	24.2
90-120	808.6	11.4
0-90	6191.3	87.2
90-180	908.0	12.8
0-180	7099.3	100.0



PHOTOMETRIC DATA

Test # 102063649CHI-029M Denali

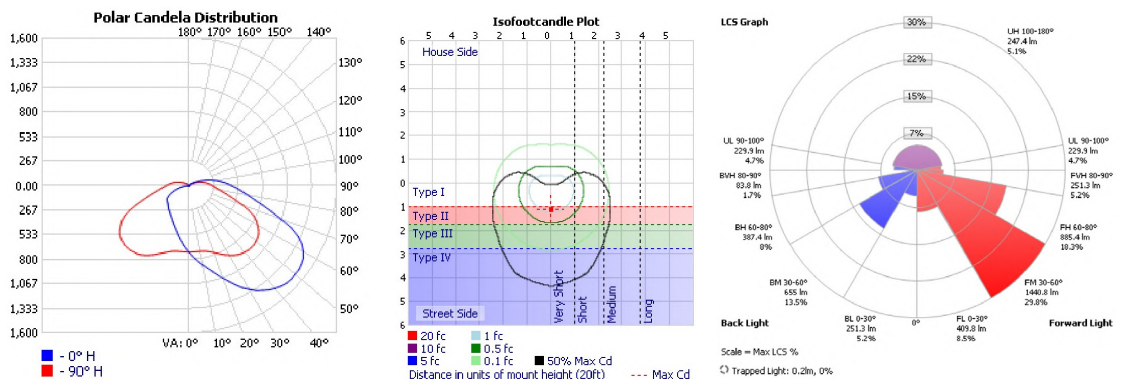
DN-LED57-4K-EBU-WH-HSS120-PEND3-STC-SPMB

Test Date: 6/1/2017 — Tested in accordance with LM-79-80. The results contained in this summary report pertain only to the tested sample.

Summary of Results	
Total Lumen Output	4842.2 Lumens
Efficacy (Lm/W)	85.55 Lm/W

Electrical Test Conditions					
Temp	Voltage	Current	Power	Power Factor	Bug Rating
25°C (±1°C)	120.1	471.7mA	56.6W	0.994	B1-U3-G3

Zonal Lumen Summary		
Zone	Lumens	% Luminaire
0-30	661.2	13.7
0-40	1225.2	25.3
0-60	2756.9	56.9
60-90	1607.9	33.2
70-100	1078.9	22.3
90-120	441.2	9.1
0-90	4364.8	90.1
90-180	477.4	9.9
0-180	4842.2	100.0



PHOTOMETRIC DATA

Test # LLI-16215-5M Denali

DN-LED100-4K-EBU-WH-PEND3-RMB

Test Date: 6/1/2017 – Tested in accordance with LM-79-80. The results contained in this summary report pertain only to the tested sample.

Summary of Results	
Total Lumen Output	9927.4 Lumens
Efficacy (Lm/W)	102.01 Lm/W

Electrical Test Conditions							
Temp	Voltage	Current	Power	Power Factor	CCT	CRI	Bug Rating
25°C (±1°C)	120V	0.815A	97.3W	0.996	4230K	85	B3-U3-G2

Zonal Lumen Summary		
Zone	Lumens	% Luminaire
0-30	1441.6	14.5
0-40	2769.0	27.9
0-60	6392.1	64.4
60-90	3017.5	30.4
70-100	1618.9	16.3
90-120	476.1	4.8
0-90	9409.5	94.8
90-180	517.9	4.2
0-180	9927.4	100.0

