

Classic • Comet • Mercury

Pendant Series Indoor/Outdoor
LED

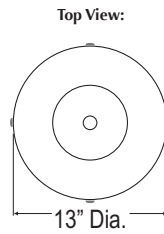
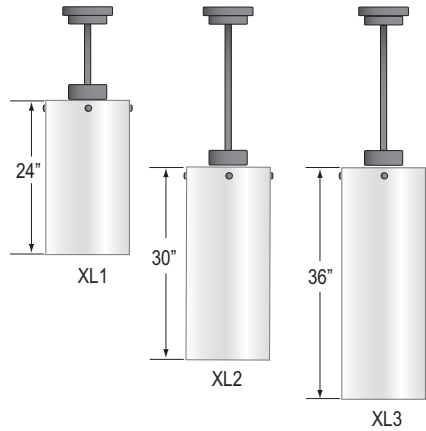


ARRA
Compliant

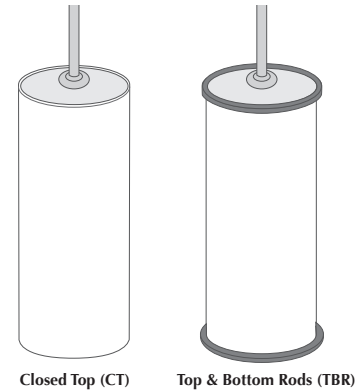
We reserve the right to revise the design or components of any product without notice.

CATALOG #		TYPE
PROJECT/LOCATION		
APPROVED BY		

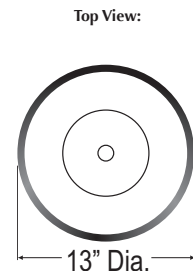
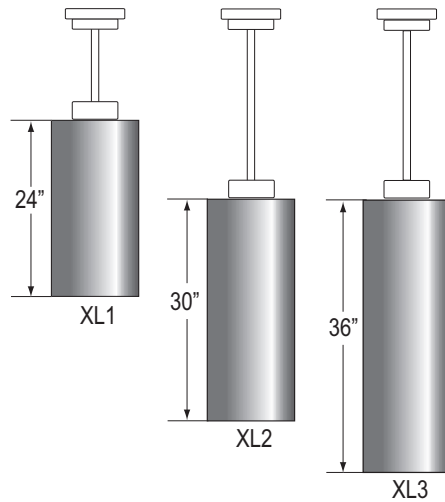
CLASSIC PENDANT (CLP)



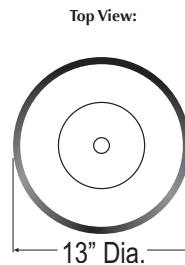
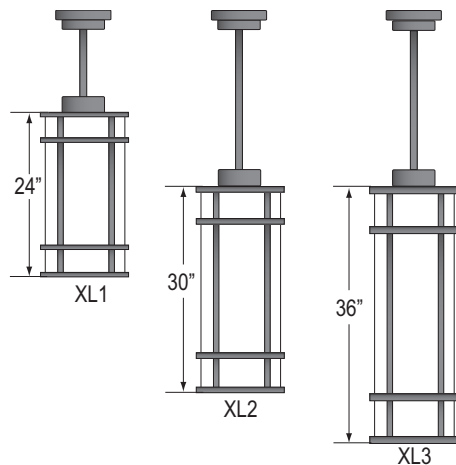
Pendant shown with additional diffuser attachment options: Closed Top (CT) or Top & Bottom Rods (TBR).



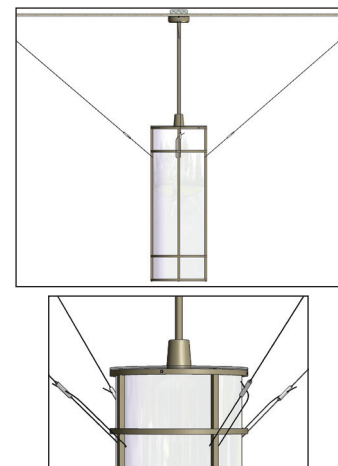
COMET PENDANT (COP)



MERCURY PENDANT (MEP)



Pendant shown with Stainless Steel Aircraft Cable used for vertical stability (i.e. high winds) for Outdoor Covered Ceiling (Damp) Applications.



Classic · Comet · Mercury

Pendant Series Indoor/Outdoor - LED

SPECIFICATIONS

- CAGE** — Modular design using 3/8" or 1/2" Square extruded aluminum bars (SQB) permanently secured by hidden means to the frame. MERCURY Standard configuration shown. Custom spacing is available. Optional Top & Bottom Rods diffuser attachment (TBR) for CLASSIC.
- DIFFUSER** — White translucent, non-yellowing 100% virgin acrylic, .125 Thick (1/8"). Open top and bottom standard for indoor use; Closed top standard for damp location. Optional Clear or Opaque top and/or bottom.
- DIFFUSER ATTACHMENT (CLASSIC PENDANT)** — Four Flat Brass Knurled Knobs, bur-nished & lacquered. Optional Closed Top (CT) or Top & Bottom Rods (TBR).
- DRIVER** — Universal Volt (120-277v) Electronic Driver.
- FASTENERS** — Stainless steel tamperproof screws —(2) To secure lens in place.
- FINISH** — Corrosion and Weather resistant, extremely durable pre-treated oven baked polyester powder.
- HOUSING (COMET)** — Standard Solid Aluminum Shield. Specify Finish. Open top and bottom (ONTB) standard for indoor use; Closed top (CLT) standard for damp location. Optional Clear or Opaque top and/or bottom.
- MOUNTING** — Pendant mount. Specify Stem Length. Indoor/Outdoor (Damp Covered Ceiling).
- PENDANT** — Standard Pendant Model Suspension includes Canopy. Must Specify Stem Length (ST) — 12" is standard length, 24" and custom lengths are optional.
- COMPLIANCE** — Built to comply with U.S. and Canadian safety standards - Suitable for dry or damp locations. Requires covered ceiling for outdoor installation, damp location.

		Number of Lamps/Wattage ¹		
Lamp Type		XL1	XL2	XL3
CLASSIC & MERCURY				
Light Emitting Diode	LED	60w	60w	60w
LED Uplight/Downlight	UP DN	10w or 15w	10w or 15w	10w or 15w
COMET				
LED Uplight/Downlight	UP DN	10w or 15w	10w or 15w	10w or 15w
*Consult Factory for CFL, Linear Fluorescent, HID, and Induction Lamping.				

ORDERING GUIDE: Series Size Lamp/Qty/Watt Color Temp Voltage: Primary/Emergency Finish Options

SERIES

- CLP = Classic Pendant
- COP = Comet Pendant
- MEP = Mercury Pendant

SIZE

- XL1 = 24"
- XL2 = 30"
- XL3 = 36"

STEM LENGTH

- ST12 = 12" Stem Length (1/2" Dia.)
- ST24 = 24" Stem Length (1/2" Dia.)
- STCR = Custom Stem Length (Specify)

LAMP TYPE/QUANTITY/WATTAGE

Refer to Above Chart

LED COLOR TEMPERATURE

- 3K = ±3000K Range
- 4K = ±4000K Range
- 5K = ±5000K Range

VOLTAGE

- 120 = 120 Volts
- 277 = 277 Volts
- 347 = 347 Volts
- EBU = Universal Volt (120-277v) Electronic Driver
- 2EBU = Two Universal Drivers

STANDARD PAINTED FINISH

- BK = Black Finish
- BZ = Bronze Finish — Standard
- PNA = Painted Natural Aluminum
- SGR = Silver Gray
- WH = White Finish

CUSTOM ORDER PAINTED FINISH

- CC = Custom Color (Provide Specs)
- HBA = Hand Brushed Aluminum w/ Clear Coat

OPTIONS

- CR = Custom Requirements
- CLB = Closed Bottom
- CLC = Clear Glass Closed Top to allow Up-Light
- CLT = Solid Opaque Closed Top, No Up-Light
- CTB = Clear Top & Bottom (Standard with Up/Downlight)
- DL = Damp Location – Closed Solid Top (CLT) Included; Not available with Clear Top (CLC)
- FUS = Single Fusing
- DFUS = Double Fusing
- GTD = Generator Transfer Device (Bodine)
- GV = Gravura Custom Engraving (Consult Factory)
- ONTB = Open Top & Bottom (indoor only)
- OQTB = Opaque Top & Bottom
- PENDC = Pendant with Aircraft Cable Suspension
- PX = Alum. Perforated Insert with 1/16" dia. holes (Must Specify Finish)
- TB = Closed Translucent Bottom
- STC = Static Canopy
- SWC = Swivel Canopy

LED OPTIONS

- BL1 = Bi-Level Light (High/Low) — Single AC Input Feed, with Switch Sensor (Required)
- BL2 = Bi-Level Light (High/Low) — Wired for Dual AC Input Feeds
- D7 = 0-10V low-voltage LED Dimming (100-30% Standard, Consult Factory for Other)
- D8 = LED Dimming: Forward Phase/Leading Edge (Triac)
- D9 = LED Reverse Phase/Trailing Edge ELV
- D11 = DALI LED Dimming Driver
- D12 = Lutron Dimming Driver

EMERGENCY OPTIONS ^{3 50 55}

No onsite Emergency Power (AC or DC) is provided
Specify Fixture Voltage: 120V or 277V Power Feed
A=120V or B=277V

*Consult Factory for Emergency Options

NOTES:

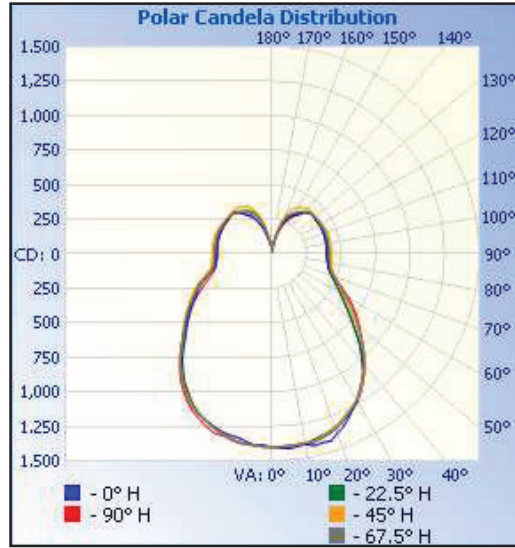
- Consult Factory with requests regarding lamp sources, including LED, color temp., wattages or voltages not shown.
- Consult Factory for additional Emergency Battery options not shown.
- Consult Factory for other Voltage.

Tested in accordance with LM-79-80
 The results contained in this summary report pertain only to the tested sample

Electrical Test Conditions / Summary					
Temp	Voltage	Power	BUG Rating	Efficacy (LPW)	Total Lumens
±25°C	120	105.2	B2-U5-G3	67.53	7,103.6

Cone of Light Tabulation			
Mounting Height (Ft)	Center Beam (Fc)	Beam Width (Ft)	
2.00	349.4	5.5	5.7
4.00	87.3	11.0	11.4
6.00	38.8	16.5	17.0
8.00	21.8	22.0	22.7
10.00	14.0	27.5	28.4

Zonal Lumen Summary		
Zone	Lumens	%Luminaire
0-30	1,109.9	15.6
0-40	1,816.7	25.6
0-60	3,169.5	44.6
60-90	1,495.3	21.1
70-100	1,389.6	19.6
90-120	1,306.1	18.4
0-90	4,664.9	65.7
90-180	2,438.7	34.3
0-180	7,103.6	100



Flood Summary				
Illumination	Efficiency	Lumens	Horizontal Spread	Vertical Spread
Field (10%):	99.8%	7,087.2	n/a	331.6
Beam (50%):	40.7%	2,892.6	109.7	107.9
Total:	100%	7,101.0		