

Galileo ADA

4" PROJECTION LED SCONCE

ANY Shape Diffuser

may include Perfex and/or Shield

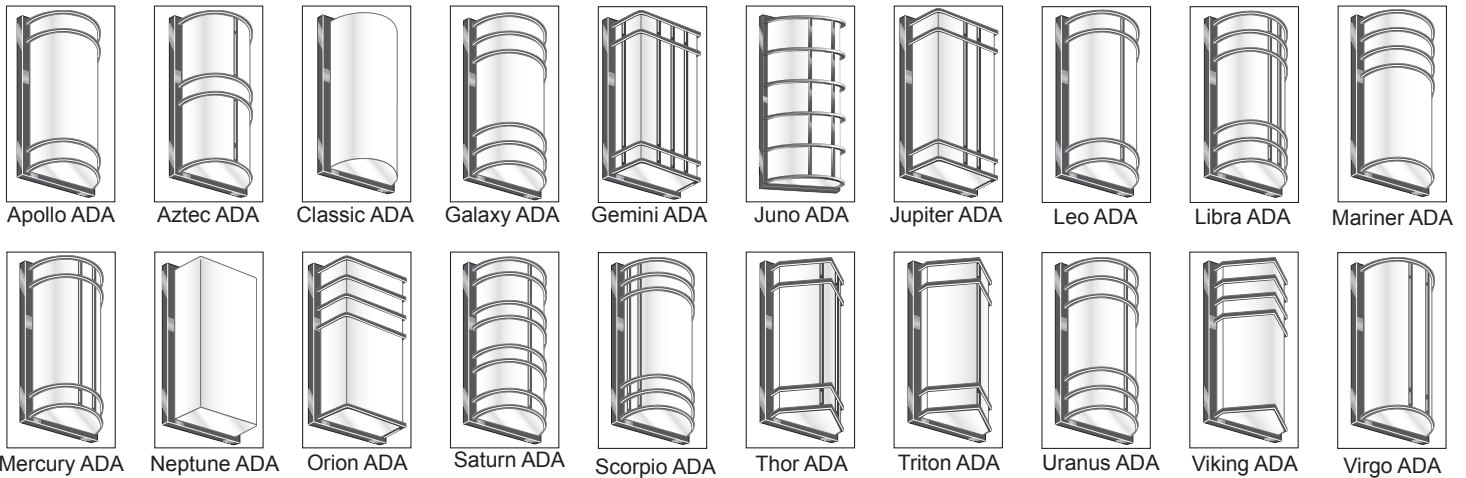
We reserve the right to revise the design or components of any product without notice.

CATALOG #		TYPE
PROJECT/LOCATION		
APPROVED BY		

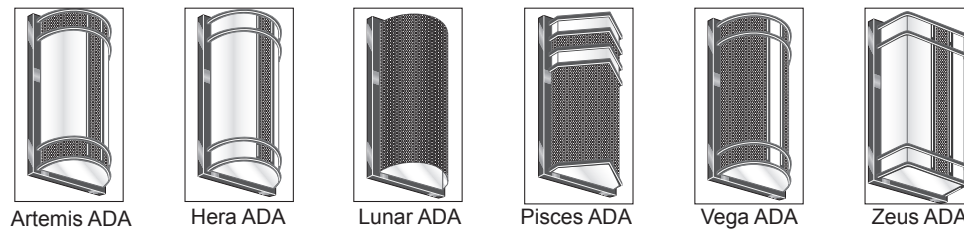
SPECIFICATIONS

- BACKPLATE — 16 Ga. aluminum (AL).
- BACKBOX — 16 Ga. aluminum (AL) with wire access on four sides and back through 7/8" dia. KO flattened water tight (Optional for surface conduit entry or standard with emergency battery).
- CAGE — Modular design using 3/8" or 1/2" Square extruded aluminum bars (SQB) permanently secured by hidden means to the frame. Standard configurations shown. Custom spacing available.
- DIFFUSER — White translucent, fully enclosed non-yellowing 100% virgin acrylic, .125 Thick (1/8"). Optional Clear (CTB) top and/or bottom — CTB is Standard with Uplight and/or Downlight; Opaque (OQTB) top and/or bottom; or Open (ONTB) top and/or bottom — Dry Location Only.
- FASTENERS — Stainless steel tamperproof screws —(2) To secure lens in place.
- FINISH — Corrosion and Weather resistant, extremely durable pre-treated oven baked polyester powder.
- GASKETING — High Temp., non-aging black EPDM and/or neoprene rubber around the entire lens perimeter & rear wire entrance hole to protect against dust, moisture & outside contaminants.
- MOUNTING — Use (4) or (6) 5/16" diameter holes for 1/4" diameter bolts for outdoor or indoor. 7/8" KO in Center for Wire Access. Must derate lamping for horizontal.
- PERFEX/SHIELD — PX: Perforated Aluminum Panel Insert with 1/16" dia. holes. SHLD: Solid Aluminum Opaque Shield (lamp/watt limits). Specify Finish if choosing Perfex or Shield.
- WALL WASH — CTB is Standard with Uplight or/and Downlight. For wall wash patterns specify: UP (Uplight) or DN (Downlight) or UP/DN (Up and Downlight).
- COMPLIANCE — Built to comply with U.S. and Canadian safety standards. Suitable for wet locations.

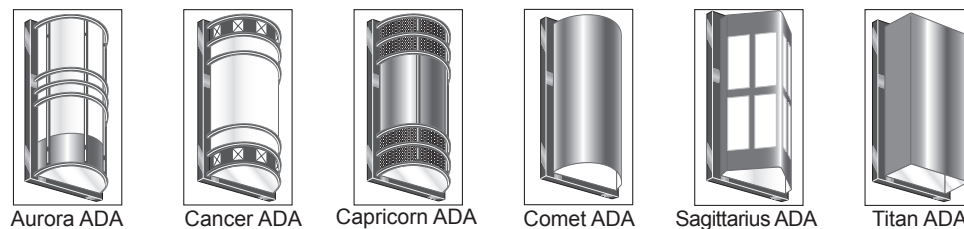
Galileo Basic R/Basic T: Round/Rectangular or Triangular Diffuser with No Perfex, No Shield



Galileo Signature: Any Shape Diffuser with Perfex (Consult Factory: May Require Lower Wattage)

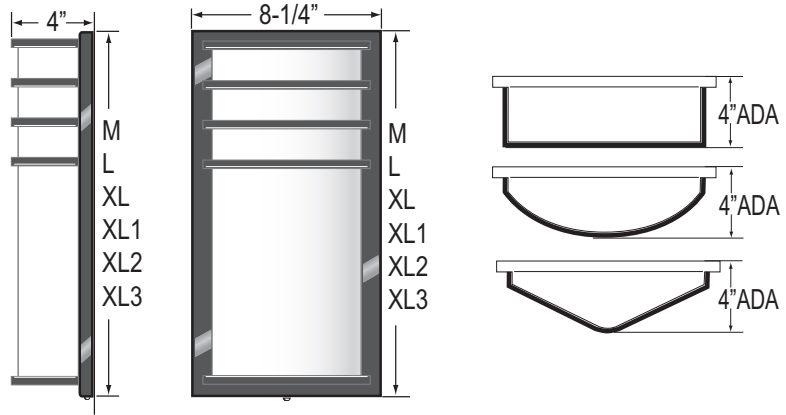


Galileo Elite: Any Shape Diffuser with Shield (Consult Factory: May Require Lower Wattage)



Galileo ADA

4" PROJECTION LED SCONCE
ANY Shape Diffuser
may include Perfix and/or Shield



LAMP TYPE/QUANTITY/WATTAGE ¹							
Visit www.eclipselightinginc.com for available IES files							
Fixture Size		M	L	XL	XL1	XL2	XL3
Dimensions - W x H x D		8 1/4" x 11 1/8" x 4"	8 1/4" x 13 1/4" x 4"	8 1/4" x 18" x 4"	8 1/4" x 21" x 4"	8 1/4" x 26 1/4" x 4"	8 1/4" x 30" x 4"
Light Emitting Diode	LED	10w	15w	15w	20w	25w	25w
Light Emitting Diode ^{4b} Uplight/Downlight Clear Top/Bottom (CTB) Standard with UP/DN	UP/DN	N/A	5w / 5w	5w / 5w	5w / 5w	5w / 5w	5w / 5w
*Consult Factory for CFL, Linear Fluorescent, HID, and Induction Lamping							

ORDERING GUIDE:

Series	Size	Lamp/Qty/Watt	Color Temp	Voltage: Primary/Emergency	Finish	Options
<input type="text"/>	<input type="text"/>	<input type="text"/>	<input type="text"/>	<input type="text"/>	<input type="text"/>	<input type="text"/>

SERIES

Refer to Index Page—Choose any rectangular, round or triangular model from Basic R, Basic T, Elite or Signature Series.

SIZE

- M = 8.25" Wide x 11" Tall x 4" Deep
- L = 8.25" Wide x 13" Tall x 4" Deep
- XL = 8.25" Wide x 18" Tall x 4" Deep
- XL1 = 8.25" Wide x 21" Tall x 4" Deep
- XL2 = 8.25" Wide x 26" Tall x 4" Deep
- XL3 = 8.25" Wide x 30" Tall x 4" Deep

LAMP TYPE/QUANTITY/WATTAGE

Refer to Above Chart

LED COLOR TEMPERATURE

- 3K = ±3000K Range
- 4K = ±4000K Range
- 5K = ±5000K Range

VOLTAGE

- 120 = 120 Volts
- 277 = 277 Volts
- 347 = 347 Volts
- EBU = Universal Volt (120-277v) Electronic Driver
- 2EBU = Two Universal Drivers

STANDARD PAINTED FINISH

- BK = Black Finish
- BZ = Bronze Finish — Standard
- PNA = Painted Natural Aluminum
- SGR = Silver Gray
- WH = White Finish

CUSTOM ORDER PAINTED FINISH

- CC = Custom Color (Provide Specs)
- CH = Corvel Chrome
- HBA = Hand Brushed Aluminum w/ Clear Coat

OPTIONS

- 9002 = Tamperproof Screwdriver
- ATBS = Aluminum Top & Bottom Shield (No Light)
- BB = 2" Backbox For EL or Surface Conduit
- CM = Ceiling Mount ⁵
- CR = Custom Requirements
- CTB = Clear Top & Bottom (Standard with Up/Downlight) ^{4b}
- FUS = Single Fusing
- DFUS = Double Fusing
- GTD = Generator Transfer Device (Bodine) ²
- GV = Gravura Custom Engraving
- HM = Horizontal Mount ⁵
- OQTB = Opaque Top & Bottom (reduces light transmission)
- ONTB = Open Top & Bottom — Indoor only

LED OPTIONS

- BL1 = Bi-Level Light (High/Low)
 - Single AC Input Feed, with Switch Sensor (Required)
- BL2 = Bi-Level Light (High/Low)
 - Wired for Dual AC Input Feeds
- D7 = 0-10V low-voltage LED Dimming (100-30% Standard, Consult Factory for Other)
- MSE = Motion Sensor External ²
 - Single circuit—all on, all off
 - Specify Finish: White (WH)/Bronze (BZ)
- MSE2 = Motion Sensor External ²
 - Dual circuit, half on half off
 - Specify Finish: White (WH)/Bronze (BZ)
- MSI1 = Motion Sensor Integral ^{2b} (Microwave)
 - Single Circuit: -OFF / ALL-ON
- MSI2 = Motion Sensor Integral ^{2b} (Microwave)
 - Single Circuit: HALF-ON / ALL-ON

EMERGENCY OPTIONS ^{3 5b}

No onsite Emergency Power (AC or DC) is provided
 Specify Fixture Voltage: 120V or 277V Power Feed
 A=120V or B=277V

LED Emergency Battery

- Factory Recommended
- REL82 = LED 4 Watt (Remote)
 - REL85 = LED 20 Watt (Remote)
 - REL88 = LED 16 Watt (Remote)
 - REL69 = LED 23 Watt (Remote)

NOTES:

- ¹ Consult Factory with requests regarding lamp sources including LED, color temp, wattages or voltages not shown.
- ² Backbox (BB) Required (where text bold and Note ² shown)
- ³ Consult Factory for additional Emergency Battery options not shown
- ⁴ Consult Factory: May Require Lower Wattage or Backbox
- ^{4b} Max mounting height of fixture is 10' (10 feet)
- ^{4c} Clear Top and Bottom (CTB) is Standard with Uplight and/or Downlight (UP/DN)
- ⁵ Due to form and fit, final selection of the Battery Pack under discretion of Factory