

Galileo 30

30" TALL SCONCE SERIES

ANY Shape Diffuser

may include Perfex and/or Shield

LED

We reserve the right to revise the design or components of any product without notice.

CATALOG #		TYPE
PROJECT/LOCATION		
APPROVED BY		

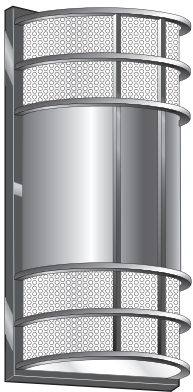
SPECIFICATIONS

- BACKPLATE — 16 Ga. aluminum (AL).
- BACKBOX — 16 Ga. aluminum (AL) with wire access on four sides and back through 7/8" dia. KO flattened water tight (Optional for surface conduit entry or standard with emergency battery).
- CAGE — Modular design using 3/8" or 1/2" Square extruded aluminum bars (SQB) permanently secured by hidden means to the frame. Standard configurations shown. Custom spacing available.
- DIFFUSER — White translucent, fully enclosed non-yellowing 100% virgin acrylic, .125 Thick (1/8"). Optional Clear (CTB) top and/or bottom — CTB is Standard with Uplight and/or Downlight; Opaque (OQTB) top and/or bottom; or Open (ONTB) top and/or bottom — Dry Location Only.
- FASTENERS — Stainless steel tamperproof screws —(2) To secure lens in place.
- FINISH — Corrosion and Weather resistant, extremely durable pre-treated oven baked polyester powder.
- GASKETING — High Temp., non-aging black EPDM and/or neoprene rubber around the entire lens perimeter & rear wire entrance hole to protect against dust, moisture & outside contaminants.
- MOUNTING — Use (4) or (6) 5/16" diameter holes for 1/4" diameter bolts for outdoor or indoor. 7/8" KO in Center for Wire Access. Must derate lamping for horizontal.
- PERFEX/SHIELD — PX: Perforated Aluminum Panel Insert with 1/16" dia. holes. SHLD: Solid Aluminum Opaque Shield (lamp/watt limits). Specify Finish if choosing Perfex or Shield.
- WALL WASH — CTB is Standard with Uplight or/and Downlight. For wall wash patterns specify: UP (Uplight) or DN (Downlight) or UP/DN (Up and Downlight).
- COMPLIANCE — Built to comply with U.S. and Canadian safety standards. Suitable for wet locations.

Just a few examples of 30" tall sconces are shown
Refer to the Index Page— Choose any rectangular, round or triangular model from Basic R, Basic T, Elite or Signature Series.



ARRA
Compliant



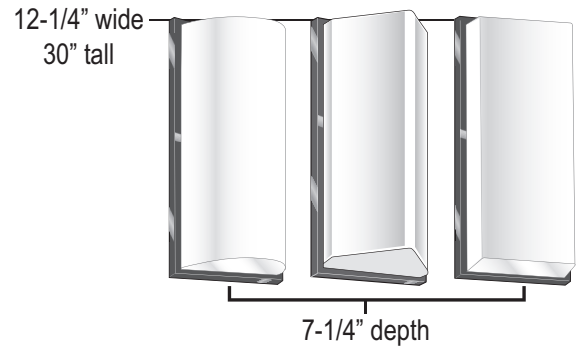
Capricorn-30



Gemini-30



Saturn-30



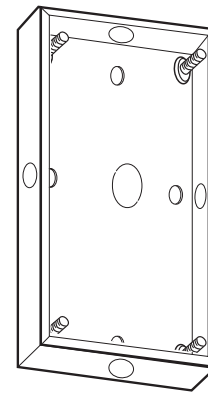
Thor-30



Titan-30



Pisces-30



Backbox:
Optional for Surface Conduit;
Required/Included with EL

Galileo 30

30" TALL SCONCE SERIES, ANY Shape Diffuser; may include Perflex and/or Shield - LED

LAMP TYPE/QUANTITY/WATTAGE ¹		
Visit www.eclipselightinginc.com for available IES files		
Fixture Size	30"	
Dimensions - W x H x D	12 1/4" x 30" x 7 1/4"	
Light Emitting Diode	LED	40/60w
Light Emitting Diode ⁴ Uplight/Downlight Clear Top/Bottom (CTB) Standard with UP/DN	UP/DN	5w or 10w or 25w ²
*Consult Factory for CFL, Linear Fluorescent, HID, and Induction Lamping		

ORDERING GUIDE:

Series	Size	Lamp/Qty/Watt	Color Temp	Voltage: Primary/Emergency	Finish	Options
<input type="text"/>	<input type="text"/>	<input type="text"/>	<input type="text"/>	<input type="text"/>	<input type="text"/>	<input type="text"/>

SERIES

Refer to Index Page—Choose any rectangular, round or triangular model from Basic R, Basic T, Elite or Signature Series.

SIZE

30 = 30" Tall

LAMP TYPE/QUANTITY/WATTAGE

Refer to Above Chart

LED COLOR TEMPERATURE

3K = ±3000K Range
4K = ±4000K Range
5K = ±5000K Range

VOLTAGE

120 = 120 Volts
277 = 277 Volts
347 = 347 Volts
EBU = Universal Volt (120-277v) Electronic Driver
2EBU = Two Universal Drivers

STANDARD PAINTED FINISH

BK = Black Finish
BZ = Bronze Finish — Standard
PNA = Painted Natural Aluminum
SGR = Silver Gray
WH = White Finish

CUSTOM ORDER PAINTED FINISH

CC = Custom Color (Provide Specs)
CH = Corvel Chrome
HBA = Hand Brushed Aluminum w/ Clear Coat

OPTIONS

9002 = Tamperproof Screwdriver
ATBS = Aluminum Top & Bottom Shield (No Light)
BB = 2" Backbox For EL or Surface Conduit
CM = Ceiling Mount⁵
CR = Custom Requirements
CTB = Clear Top & Bottom (Standard with Up/Downlight)⁴
FUS = Single Fusing
DFUS = Double Fusing
GTD = Generator Transfer Device (Bodine)²
GV = Gravura Custom Engraving
HM = Horizontal Mount⁶
OQTB = Opaque Top & Bottom (reduces light transmission)
ONTB = Open Top & Bottom — Indoor only

LED OPTIONS

BL1 = Bi-Level Light (High/Low)
— Single AC Input Feed, with Switch Sensor (Required)
BL2 = Bi-Level Light (High/Low)
— Wired for Dual AC Input Feeds
D7 = 0-10V low-voltage LED Dimming
(100-30% Standard, Consult Factory for Other)
MSE = Motion Sensor External³
— Single circuit-all on, all off
Specify Finish: White (WH)/Bronze (BZ)
MSE2 = Motion Sensor External³
— Dual circuit, half on half off
Specify Finish: White (WH)/Bronze (BZ)
MS11 = Motion Sensor Integral²⁰ (Microwave)
— Single Circuit: -OFF / ALL-ON
MS12 = Motion Sensor Integral²⁰ (Microwave)
— Single Circuit: HALF-ON / ALL-ON

EMERGENCY OPTIONS^{2 3 5}

No onsite Emergency Power (AC or DC) is provided
Specify Fixture Voltage: 120V or 277V Power Feed
A=120V or B=277V

LED Emergency Battery

NOTE: Integral Emergency Battery Options
Require Backbox (BB)

EL82 = LED 4 Watt (Integral)
EL85 = LED 20 Watt (Integral)
EL88 = LED 16 Watt (Integral)

NOTES:

- ¹ Consult Factory with requests regarding lamp sources including LED, color temp, wattages or voltages not shown.
- ² Backbox (BB) Required (where text bold and note#² shown)
- ³ Consult Factory for additional Emergency Battery options not shown
- ⁴ Consult Factory: May Require Lower Wattage or Backbox
- ⁵ Max mounting height of fixture is 10' (10 feet)
- ⁶ Clear Top and Bottom (CTB) is Standard with Uplight and/or Downlight (UP/DN)
- ²⁰ Consult Factory for other Voltage.
- ⁵ Due to form and fit, final selection of the Battery Pack under discretion of Factory