

# Horizon

## Indoor/Outdoor—Damp Location Low Profile Luminaire Ceiling, Wall or Pendant Mount

We reserve the right to revise the design or components of any product without notice.

CATALOG #		TYPE
PROJECT/LOCATION		
APPROVED BY		

### SPECIFICATIONS

- DRIVER — Universal Voltage 120/277v Electronic Driver is standard for LED.
- DIFFUSER — Opal Acrylic Standard.
- EMERGENCY — Remote Emergency Battery (Medium and Large only).
- FINISH — Bronze Polyurethane Finish. Consult Factory for custom finish.
- HARDWARE INCLUDED — (1) J Boxstrap, (1) Nipple, (1) Cap Nut.
- LIGHT ENGINE — Energy Efficient Light Emitting Diode (LED).
- MOUNTING — Center Access Hole For Mounting To A “J” Box.
- PAN — White Polyurethane Finished.
- PENDANT — Standard Pendant Model Aircraft Cable Suspension with white power cord and ceiling canopy. 1/2” conduit size entrance holes. 12” Overall Height (OH) is Standard. Specify stem (ST) or Optional cord (CD).
- SCREWS — Brass Thumb Screw.
- COMPLIANCE — Built to comply with U.S. and Canadian safety standards. Suitable for damp locations. (Covered Ceiling Only). Meets Buy America / Buy American Act Requirements.



### ORDERING INFO

Series	Size	Wattage	CCT	Voltage	Finish	Options
ORDERING GUIDE:						

#### SERIES

HOR = Horizon Series

#### SIZE

M = Medium: 14” dia.  
L = Large: 17-3/4” dia.

#### LED WATTAGE

Refer to Below Chart for Size / Wattage Compatibility  
LED(xx) = LED (xx = Wattage, ex: LED25)

#### COLOR TEMPERATURE (CCT)

3K = ±3000K range  
4K = ±4000K range  
5K = ±5000K range

#### VOLTAGE

347 = 347 Volts (Consult Factory)  
UNV = Universal Volt (120-277v) Driver  
2UNV = Two (120/277v) Electronic Drivers  
AC = 120V Only (No DC Driver Needed)

#### FINISH

BK = Black Finish  
BZ = Bronze Finish  
PNA = Painted Natural Aluminum  
SN = Satin Nickel  
WH = White Finish  
CC = Custom Color (Visit [www.ralcolor.com](http://www.ralcolor.com))  
— Provide RAL# or Make-to-Match Color Chip

#### MOUNTING OPTIONS

PENDC = Pendant with Aircraft Cable Suspension<sup>④</sup>  
PEND = Pendant Mount (12” Stem)  
— For Custom Stem Specify Length  
— Includes Canopy Swivel Kit (45°)

#### DIMMING OPTIONS

Note: 0-10V 100%-30% is Standard  
D7A = 0-10VDC LED Dimming Driver (100-10%)  
D7B = 0-10VDC LED Dimming Driver (100-1%)

#### CONTROL OPTIONS

OCC = Occupancy Sensing | Motion Sensor Integral<sup>⑤</sup>  
— Microwave / Single Feed / 120/277V Only  
— Standby Dim Level Presets: ON/OFF (0%/100%)  
BLD = Bi-Level Dimming | Motion Sensor Integral<sup>⑤</sup>  
— Microwave / Single Feed / 120/277V Only  
— Standby Dim Level Presets:  
10% / 20% / 30% (Standard) / 50%  
BLS = Bi-Level Switching — Using 2 Drivers (2UNV)

#### MISC OPTIONS

FUS = Single Fusing  
DFUS = Double Fusing

#### EMERGENCY BATTERY OPTIONS<sup>③ ⑤ ⑥</sup>

No onsite Emergency Power (AC or DC) is provided

Meets California Energy Commission Title 20:  
(CEC-400-2014-009-CMF) Efficiency Standards

REL4W = Remote LED 4 Watt  
REL8W = Remote LED 8 Watt  
REL16W = Remote LED 16 Watt

#### Cold Weather Emergency Batteries:

Operating Temp: -20°C thru 50°C (NON-CEC Compliant)

REL10W-CW = Remote LED 10 Watt (Cold Weather)

#### NOTES:

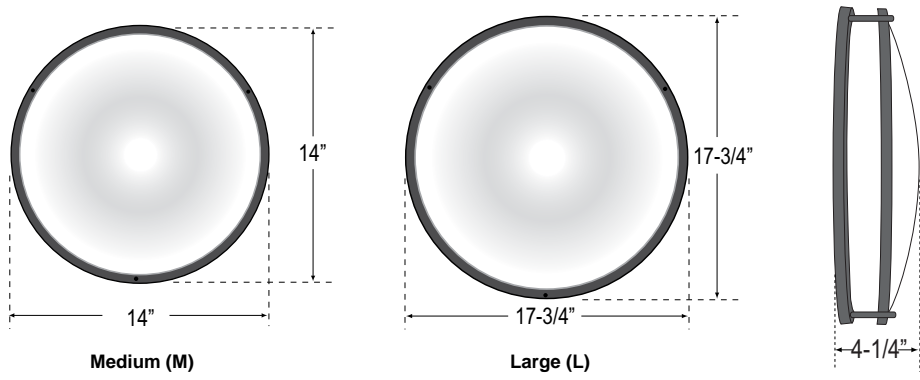
- ③ Consult Factory for additional Emergency options not shown
- ④ Max mounting height of fixture is 18’ (18 feet)
- ⑤ Aircraft cable for Pendant Mount available up to 10’—Specify Length
- ⑥ Max WHIP length of the REL is 8 feet.
- ⑦ Final selection of the Battery Pack under discretion of Factory

Fixture Size	Dimensions	Wattage	Lumens
MEDIUM	14” Diameter x 4¼” Depth	15 Watt	1680 Lumens
		25 Watt	2770 Lumens
LARGE	17¾” Diameter x 4¼” Depth	25 Watt	2770 Lumens
		40 Watt	4540 Lumens

NOTE: Lumen output is based on nominal system wattage.

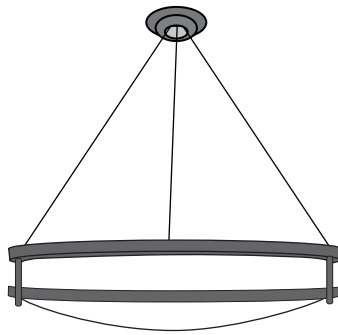
**DIMENSIONS**

---



**MOUNTING OPTIONS**

---



**Pendant Mount with Aircraft Cable Suspension (PENDC)**

