

# TL101

## FULL CUT-OFF WALL PACK FAMILY

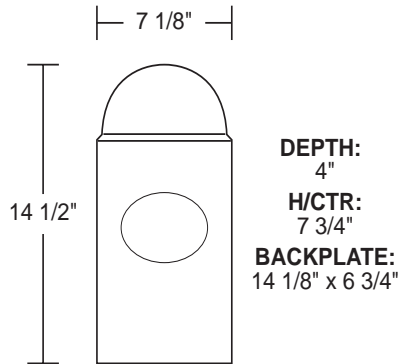
### Beachfront, Turtle Safe Lighting

We reserve the right to revise the design or components of any product without notice.

CATALOG #		TYPE
PROJECT/LOCATION		
APPROVED BY		

### SPECIFICATIONS

- HOUSING — Non Corrosive Hardware.
- DIFFUSER — Polycarbonate Opal Lens.
- DRIVER — 120/277 volt Electronic for LED.
- FINISH — Oven baked polyester powder coat.
- MOUNTING — Surface Wall Mount.
- LAMP — Energy Efficient Light Emitting Diode (LED)
  - Standard 585-596 nM Color Temp (Turtle Safe).
- COMPLIANCE — Built to comply with U.S. and Canadian Safety Standards. Suitable for Wet Locations. Florida Wildlife Certified with Amber LED. Beachfront and Turtle Safe Lighting.



TL101 Dimensions



TL101 Shown with Amber LED Light Meets Florida Wildlife Compliance and Turtle Friendly Lighting Standards

**ORDERING GUIDE:**

Series	Style	Lamp/Wattage	Color Temp	Voltage	Options	Finish
<input type="text"/>	<input type="text"/>	<input type="text"/>	<input type="text"/>	<input type="text"/>	<input type="text"/>	<input type="text"/>

#### SERIES

TL101 = TL101 Series

#### STYLE

- N = No Insignia
- L = Lighthouse Insignia
- T = Turtle Insignia

#### LAMP TYPE/QUANTITY/WATTAGE

LED9A = 9 Watt Amber LED  
(Florida Wildlife Compliant)

#### COLOR TEMPERATURE

Standard 585-595 Nanometers (nM)

#### VOLTAGE

- 120 = 120 Volts
- 277 = 277 Volts
- EBU = High Temp Universal Volt (120-277V)

#### OPTIONS

9328 = Dual Voltage Photocell 120/277V)

#### FINISH

- BK = Black
- BZ = Bronze
- GR = Gray
- SN = Sand
- WH = White

