

Granada 2

LED WALL PACK FAMILY

Low Height Wall Mount

Vandal Resistant

We reserve the right to revise the design or components of any product without notice.

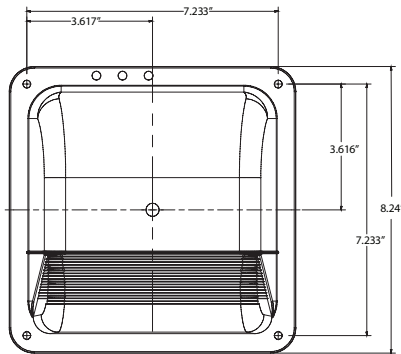
CATALOG #		TYPE
PROJECT/LOCATION		
APPROVED BY		

SPECIFICATIONS

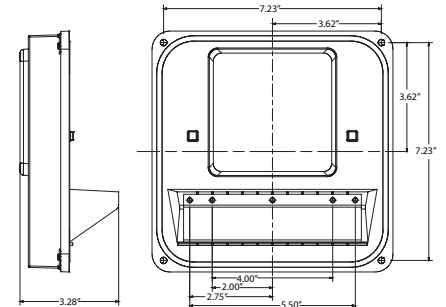
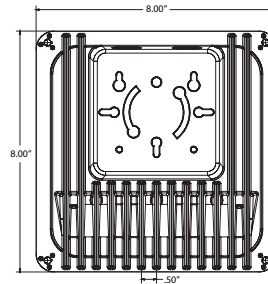
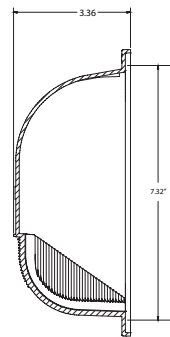
- DRIVER — Universal Voltage 120/277v Electronic Driver is standard for LED.
- DISTRIBUTION — Wide Forward Long Type III Non-Cutoff Distribution.
- HOUSING — Injection molded thermal conductive polycarbonate housing with built-in cooling fins to dissipate internal heat.
- FINISH — Extremely durable oven baked Polyester Powder coat – Finishes include Bronze or White.
- LIGHT ENGINE — Energy Efficient Light Emitting Diode (LED).
- LENS — Polycarbonate or Acrylic DR-impact grade clear painted lens.
- MOUNTING — J-BOX mounting.
- WEIGHT — Approximately 2.5lbs (Housing/Lens Assembly - Electronics not included).
- COMPLIANCE — Built to comply with U.S. and Canadian safety standards. Suitable for wet locations. IP66 Rated.



DIMENSIONS



**LENS/COVER
DIMENSIONS**



**HOUSING
DIMENSIONS**

Granada 2

LED WALL PACK FAMILY

Low Height Wall Mount

Vandal Resistant

ORDERING GUIDE:

Series	Lens	Lamp/Wattage	Color	Voltage	Finish	Options

SERIES

GN2 = Granada 2 Series (8"W x 8"H x 4.8"D)

LENS FINISH

BZ = Bronze (Standard)
 WH = White
 BK = Black
 SGR = Silver Gray

LED WATTAGE¹

LED20 = 20 Watt LED (3455 Initial Lumens - 167lm/W)

LED COLOR TEMPERATURE

3K = ±3000K range
 4K = ±4000K range
 5K = ±5000K range

VOLTAGE

120 = 120 Volts
 277 = 277 Volts
 EBU = Universal Volt (120-277v) Electronic Driver

FINISH

BK = Black
 BZ = Bronze (Standard)
 WH = White Finish

OPTIONS

9002 = Torx Tamperproof Screwdriver
 9328 = Universal Photocell – 120/277V
 FUS = Single Fusing

LED OPTIONS

D7 = 0-10V low-voltage dimming (100-30% Standard, Consult Factory for Other)
 MSE = Motion Sensor External—Single circuit-all on, all off Specify Finish: White (WH)/Bronze (BZ)
 MSE2 = Motion Sensor External—Dual circuit, half on half off Specify Finish: White (WH)/Bronze (BZ)
 SG = 10KA Surge Protection for LED fixtures (meets ANSI spec C62.41.2)

EMERGENCY BATTERY OPTIONS^{3 5}

No onsite Emergency Power (AC or DC) is provided
 Specify Fixture Voltage: 120V or 277V Power Feed
 A=120V or B=277V

LED Emergency Battery⁵

REL67 = LED 23 Watt Cold Weather (Remote)
 REL69 = LED 23 Watt (Remote)
 REL82 = LED 4 Watt (Remote)
 REL85 = LED 20 Watt (Remote)
 REL88 = LED 16 Watt (Remote)

NOTES:

- 1 Consult Factory with requests regarding lamp sources, including LED, color temp., wattages or voltages not shown.
- 3 Consult Factory for additional Emergency Battery options not shown.
- 5 Max mounting height of fixture is 10 feet
- 5 Max WHIP length with the REL provided by the factory is 8 feet.
- 5 Due to form and fit, final selection of the Battery Pack under discretion of Factory

Test Report# 05849 — Granada 2 Photometric Data

Summary of Results		
Input Wattage	20.62	
Delivered Lumens (lms)	3455.88	
Efficacy (Lm/W)	167.60 Lm/W	
Voltage (V)	120-277v	
Zonal Lumen Summary		
Zone	Lumens	Fixture %
0-30	453.32	13.12
0-40	800.84	23.17
0-60	1673.99	48.44
0-90	3018.62	87.35
90-110	260.67	7.54
90-130	377.59	10.93
90-150	432.47	12.51
90-180	437.26	12.65

