

# Glasgow

## FULL CUT-OFF WALL PACK FAMILY

### Full Cut-Off Option Wall Mount Sconce LED Lamping

We reserve the right to revise the design or components of any product without notice.

CATALOG #		TYPE
PROJECT/LOCATION		
APPROVED BY		

#### SPECIFICATIONS

- DRIVER — Universal Voltage 120/277v Electronic Driver with 0-10V dimming is standard.
- EMERGENCY — Integral or Remote LED emergency battery.
- GASKETING — High temperature, non-aging black EPDM and/or Neoprene Rubber concealed in housing pocket and enclosed by cast-in drip shield and rear wire entrance hole to protect against outside contaminants.
- HOUSING — Formed and welded aluminum with line side wire access on the back, top and bottom through 1/2" trade size conduit knockouts.
- FINISH — Oven baked Polyester Powder Coat.
- LIGHT ENGINE — Energy Efficient Light Emitting Diode (LED).
- LENS — UV stabilized 1/8" thick injection molded clear prismatic Hi-impact Polycarbonate.
- LENS FASTENERS — Stainless steel tamperproof screws (4) to secure lens in place.
- MOUNTING — Wall.
- REFLECTOR — .032 aluminum painted white with high reflectivity.
- SHIELD — 0.063" Aluminum Curved Fascia.
- COMPLIANCE — Built to comply with U.S. and Canadian safety standards. Suitable for wet locations. **Made in USA / Buy America Compliant / Buy American Act.**



Shown As: Style A (100% Downlight)  
See Ordering Guide for Other Options



#### ORDERING INFO

Series	Fascia	Distribution / Wattage	CCT	CRI	Voltage	Finish	Options

#### ORDERING GUIDE:

##### SERIES

GW = Glasgow Series

##### FASCIA

A = Curved Fascia - Front Window Opening  
C = Curved Fascia - Solid Front

##### DISTRIBUTION / WATTAGE

Note: Refer to LED Wattage / Lumens Table Below

##### 100% Downlight Only (Dark Sky Compliant) or

DN30 = 30 Watt Total  
DN40 = 40 Watt Total  
DN50 = 50 Watt Total

##### 50%/50% Uplight / Downlight Split

UP15-DN15 = 30 Watt Total  
UP20-DN20 = 40 Watt Total  
UP25-DN25 = 50 Watt Total

Note: Use of SL option negates Dark Sky Compliance  
SL = Side Light

##### COLOR TEMPERATURE (CCT)

3K = ±3000K range LED  
35K = ±3500K range LED  
4K = ±4000K range LED  
5K = ±5000K range LED

##### COLOR RENDERING INDEX (CRI)

80CRI = 80 Color Rendering Index (STANDARD)  
90CRI = 90 Color Rendering Index (Not Available for 5K)

##### VOLTAGE

347 = 347 Volt  
UNV = Universal Volt (120/277v) Driver

##### STANDARD FINISH

BK = Black Finish  
BZ = Bronze Finish  
PNA = Painted Natural Aluminum  
WH = White Finish

##### PREMIUM UPCHARGE FINISH

CC = Custom Color (Visit [www.ralcolor.com](http://www.ralcolor.com))  
— Provide RAL# or Make-to-Match Color Chip

##### PHOTOCELL OPTION

9328 = Photocell Button (120/277V) <sup>20</sup>

##### CONTROL OPTIONS (Choose from Manual or Sensor)

MANUAL CONTROL (Wall Switch or Control System)

Note: Cannot be used with Sensor Controls below

Note: 0-10V (100-30%) Dimming is Standard

D7A = 0-10VDC LED Dimming Driver (100-10%)  
D7B = 0-10VDC LED Dimming Driver (100-1%)

OR

Sensor Control (Sensor Integral to Fixture)

Note: Cannot be used with Manual Controls above

OCC = Occupancy Sensing | Motion Sensor Integral <sup>20</sup>  
— Microwave / Single Feed / 120/277V Only  
— Standby Dim Level Presets: ON/OFF (0%/100%)

BLD = Bi-Level Dimming | Motion Sensor Integral <sup>20</sup>

— Microwave / Single Feed / 120/277V Only  
— Standby Dim Level Presets:  
10% / 20% / 30% (Standard) / 50%

##### MISC OPTIONS

FUS = Single Fusing  
DFUS = Double Fusing

##### EMERGENCY BATTERY OPTIONS <sup>49</sup> <sup>50</sup> <sup>55</sup>

Meets California Energy Commission Title 20:  
(CEC-400-2014-009-CMF) Efficiency Standards

EL8W = Integral LED 8 Watt  
EL10W = Integral LED 10 Watt  
EL16W = Integral LED 16 Watt

REL8W = Remote LED 8 Watt  
REL10W = Remote LED 10 Watt  
REL16W = Remote LED 16 Watt

##### Cold Weather Emergency Batteries:

Operating Temp: -20°C thru 50°C / NON-CEC Compliant

EL10W-CW = Integral LED 10 Watt (Cold Weather)  
REL10W-CW = Remote LED 10 Watt (Cold Weather)

##### ACCESSORY OPTIONS (order as a separate line)

9002 = Tamperproof Screwdriver  
REMT = Remote Controller for Sensor Options

##### NOTES:

- <sup>20</sup> Max mounting height of fixture is 18' (18 feet)
- <sup>27</sup> Not available with 50/50% Distribution.
- <sup>49</sup> Emergency Battery will ONLY illuminate Downlight.
- <sup>50</sup> Max WHIP length with the REL provided by the factory is 8ft.
- <sup>55</sup> Final selection of the battery pack is under discretion of Factory.

WATTAGES	DISTRIBUTION	
	Downlight Only (DN)	50% Up / 50% Down
LED30 (30W)	3200 Lumens	1600 Lumens / 1600 Lumens
LED40 (40W)	4200 Lumens	2100 Lumens / 2100 Lumens
LED50 (50W)	5400 Lumens	2700 Lumens / 2700 Lumens

# Glasgow

## FULL CUT-OFF WALL PACK FAMILY

### Full Cut-Off Option Wall Mount Sconce LED Lamping

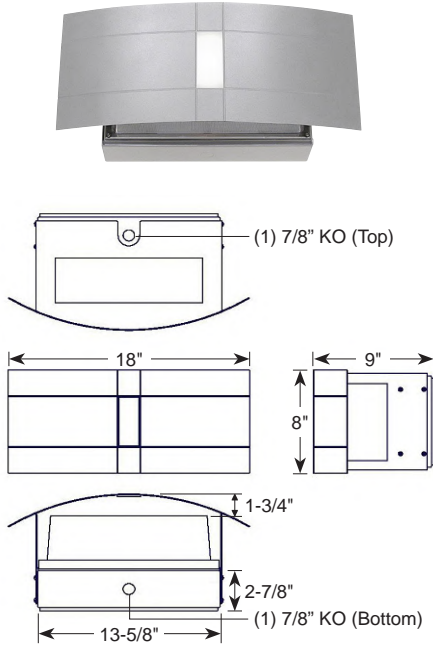
We reserve the right to revise the design or components of any product without notice.

CATALOG #		TYPE
PROJECT/LOCATION		
APPROVED BY		

#### DIMENSIONS

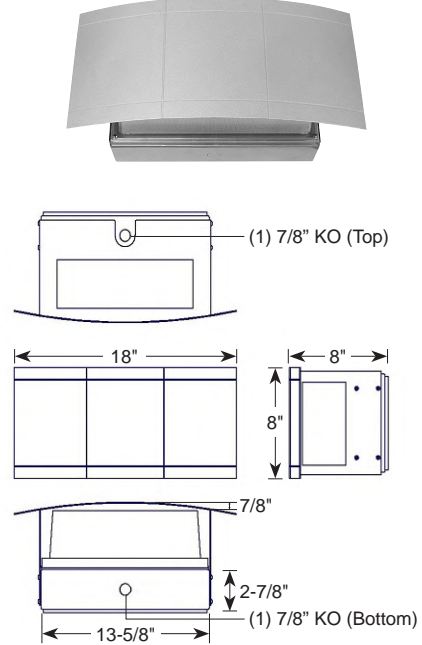
##### Fascia A

Curved Fascia with Front Window Opening



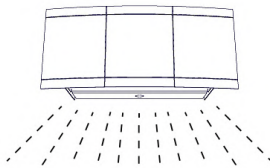
##### Fascia C

Curved Solid Front Fascia

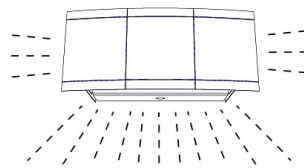


#### DISTRIBUTION STYLES

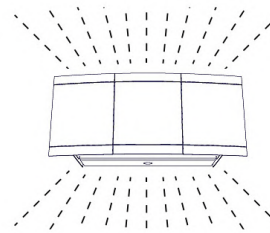
DN = 100% Downlight



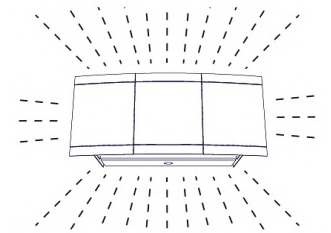
DN = 100% Downlight  
with Side Light (SL)



50/50 = 50% Uplight / 50% Downlight



50/50 = 50% Uplight / 50% Downlight  
with Side Light (SL)



# Glasgow

## FULL CUT-OFF WALL PACK FAMILY

### Full Cut-Off Option Wall Mount Sconce LED Lamping

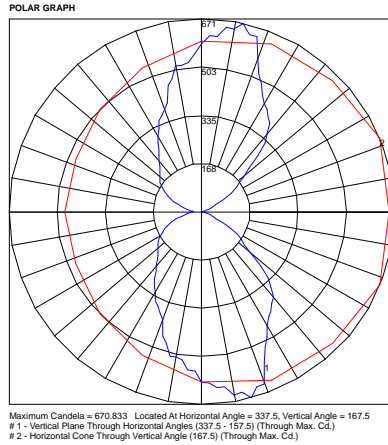
We reserve the right to revise the design or components of any product without notice.

CATALOG #		TYPE
PROJECT/LOCATION		
APPROVED BY		

#### PHOTOMETRIC DATA

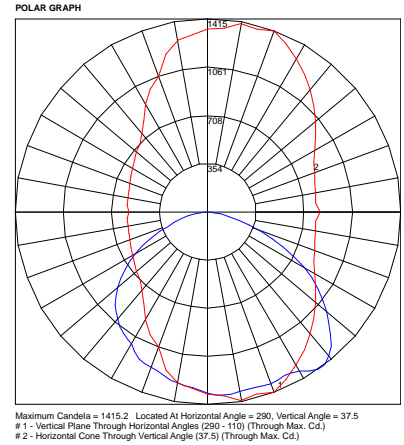
Summary of Results   GW-A-UP15-DN15-3K-80CRI-UNV					
Lumen Output	Efficacy	Input Power	CCT	Distribution	BUG Rating
3012.8 Lumens	100.1 Lm/W	30.1W	3000K	N/A	B1-U5-G1

LCS Summary	
Zone	Lumens
Forward Low (0-30)	253.1
Forward Medium (30-60)	446.2
Forward High (60-80)	118.1
Forward Very High (80-90)	12.1
Back Low (0-30)	199.3
Back Medium (30-60)	350.4
Back High (60-80)	151.2
Back Very High (80-90)	30.3
Up Low (90-100)	35.6
Up High (100-180)	1416.5



Summary of Results   GW-C-DN40-4K-80CRI-UNV					
Lumen Output	Efficacy	Input Power	CCT	Distribution	BUG Rating
3294.2 Lumens	82.4 Lm/W	40.0W	4000K	Type I	B1-U0-G1

LCS Summary	
Zone	Lumens
Forward Low (0-30)	554.1
Forward Medium (30-60)	994.9
Forward High (60-80)	254.4
Forward Very High (80-90)	9.4
Back Low (0-30)	456.9
Back Medium (30-60)	764.2
Back High (60-80)	240.3
Back Very High (80-90)	20.0
Up Low (90-100)	0.0
Up High (100-180)	0.0



Summary of Results   GW-C-UP25-DN25-5K-80CRI-UNV					
Lumen Output	Efficacy	Input Power	CCT	Distribution	BUG Rating
5103.4 Lumens	103.3 Lm/W	49.4W	5000K	N/A	B1-U5-G1

LCS Summary	
Zone	Lumens
Forward Low (0-30)	428.7
Forward Medium (30-60)	755.8
Forward High (60-80)	200.0
Forward Very High (80-90)	20.6
Back Low (0-30)	337.7
Back Medium (30-60)	593.5
Back High (60-80)	256.2
Back Very High (80-90)	51.4
Up Low (90-100)	60.2
Up High (100-180)	2399.3

